

CAUTION: Maintenance

1. Replacement parts may be available at the store where you purchased your faucet.
2. Always turn off water and relieve pressure before working on your faucet.

NOTES: Cleaning Instructions

1. To keep the faucet clean, you should clean the faucet frequently and regularly.
2. Clean the faucet with clear water or mild liquid, rinse the faucet with clear water and then dry the faucet with soft cotton cloths.
3. Do not use any abrasive cleansers, cloths, or paper towel.
4. Do not use any acid or abrasive detergent.

TROUBLE-SHOOTING

If you've followed the instruction carefully and your faucet still does not work properly, take these corrective steps.

Problem	Cause	Action
Leaks underneath handle.	Cartridge has come loose.	Tighten the cartridge.
Aerator leaks or has an inconsistent water flow pattern.	Aerator is dirty or worn out or misfitted.	Unscrew the aerator to clean or replace washer, or replace the aerator.
Water will not shut off completely.	Dirty or worn out washer in cartridge.	Remove handle and cartridge to check if the washer is damaged permanently or dirty. Re-install cartridge.

AKICON®

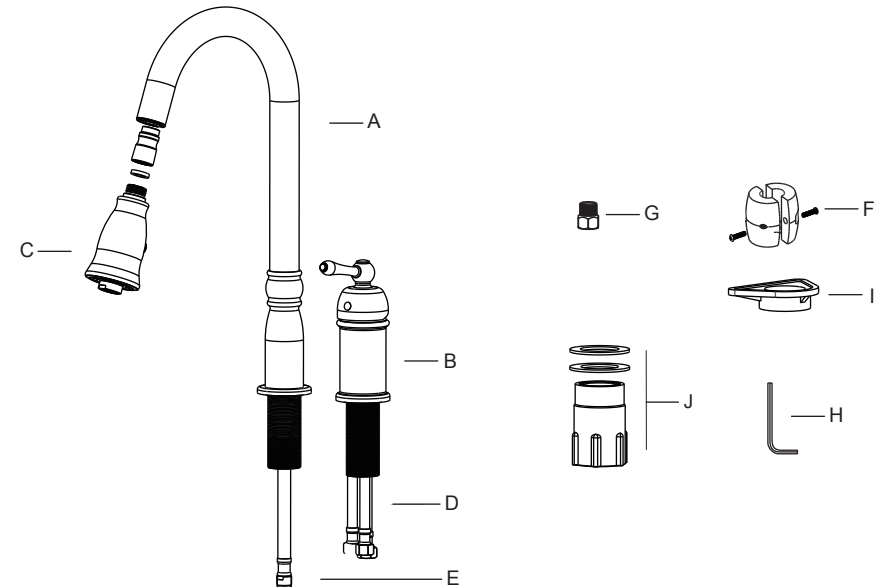
Pull-down Kitchen Faucet

Model: 97918

PACKING LIST

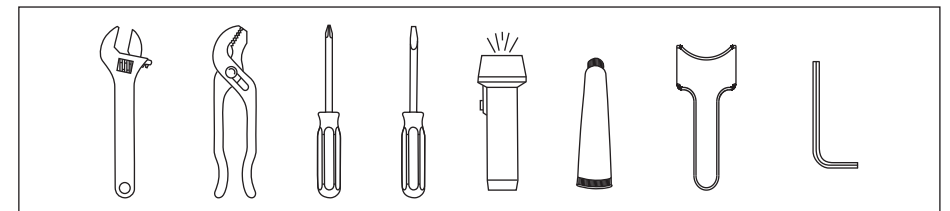
After you open this package, please check to ensure that all of the following items are included.

- A- Spout B- Valve body C- Spray head D-Flexible hoses(3) E-Pull down hose I- Support
F- Weight(1) + Screw(2) G- Adaptor + Check valve H- Allen wrench J- Mounting nut + Washer



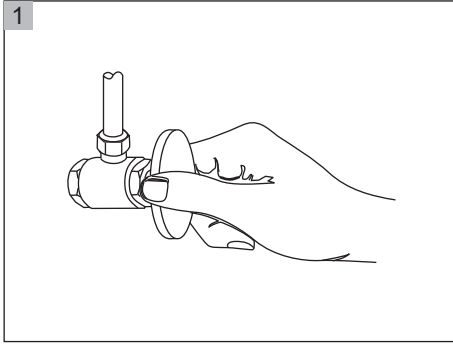
IMPORTANT NOTICES: For easy installation, please read all the instruction completely before beginning. Before installing this product, make sure that water line trash is cleared to avoid blockage.

YOU MAY NEED

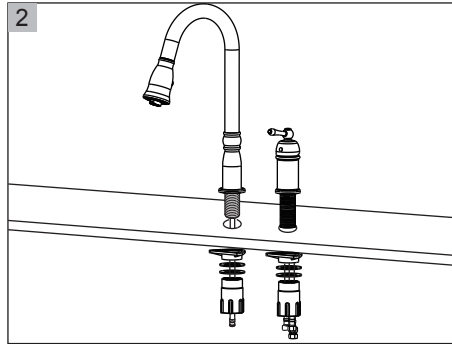


Questions, problems, missing parts?
call Akicon Customer Service 8 a.m.-6p.m. EST, Monday-Friday
Phone: +1(302)213 4406, Email: service@akiconshop.com
AKICONSHOP.COM

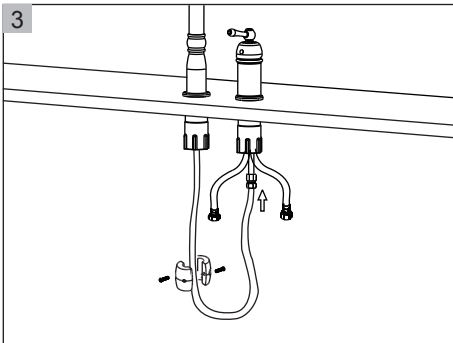
INSTALLATION PROCEDURES



1 You should clean all the dirt from valve outlets. Turning off the water supply valves. This is usually found near the water meter. If you are replacing an existing faucet, remove the faucet from the sink and clean the sink surface thoroughly.

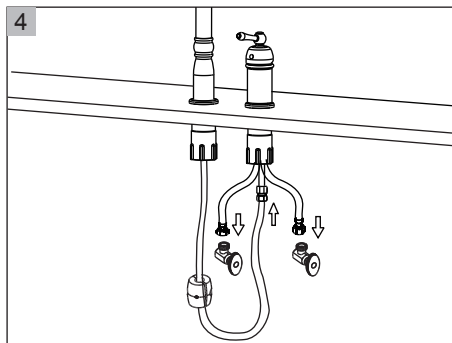


2 Make sure the O-ring is placed at the bottom of the spout and valve body, then install the spout and valve body through the hole in the sink, and the valve body is installed on the right side of the spout. From underside sink, put plastic support and washer and mounting nut respectively. Position spout and valve body on sink properly and tighten mounting nut.

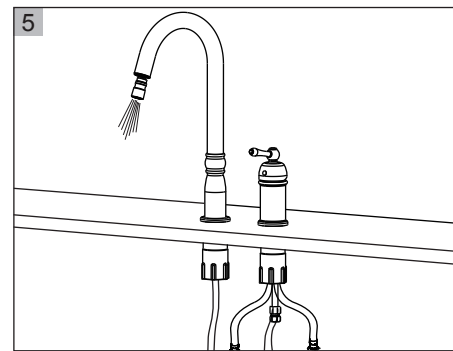


3 Connect the pull-down hose to the shorter hose at the bottom of the valve body and tighten it. Install the weight on the lower end of the vertical part of the pull-down hose and tighten it with a cross screw driver until the weight does not move.

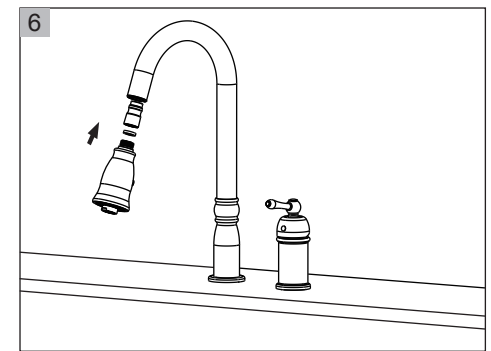
Note: the pull-down hose should always be in the upright position, and there should be no knot or interference with other parts. Otherwise, the spray may not be able to return to the original position, and the service life of the faucet will be affected.



4 Connect the hot and cold water supply lines to the corresponding hot and cold water supply valves and tighten them with a wrench.

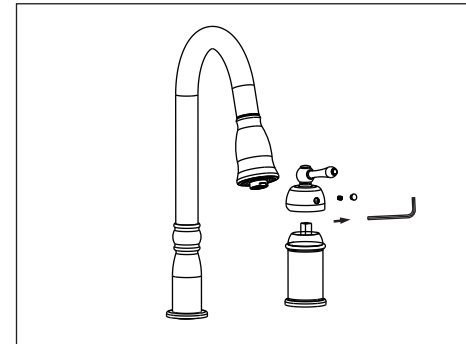


5 After installation is complete, remove spray head and rotate handle to the close position, turn water supply valves on, and check all connections for leak, then open the hot and cold water supply valve and tap control valve completely for one minute to flush the residue in the pipe.



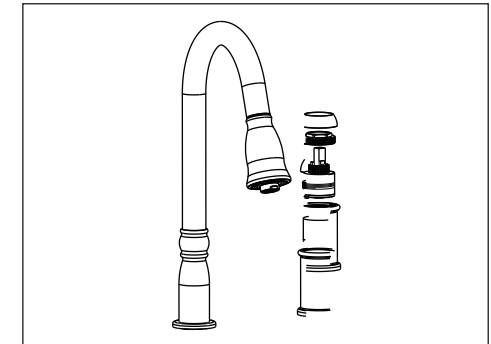
6 Replace spray head.

Handle Removal Maintenance



Turn off water and relieve pressure! Detach handle button using a small flathead screwdriver, unscrew set screw using Allen Wrench and take off handle.

Valve Cartridge Removal Maintenance



Remove handles. Unscrew dome cap counter clockwise by hand. Unscrew retaining nut using adjustable wrench, take out cartridge assembly and inspect. Replace parts as necessary. Reassemble parts by reversing steps.