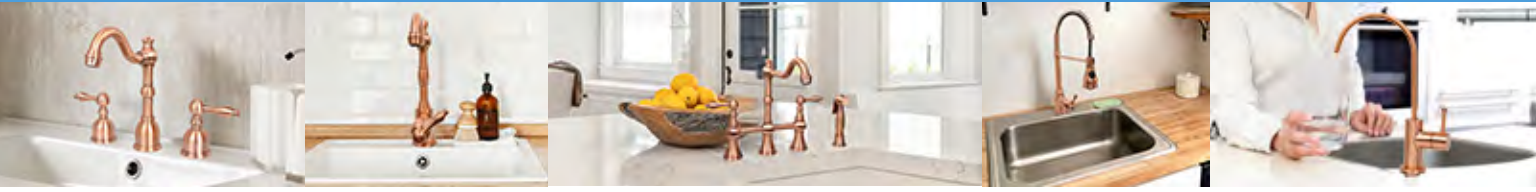


Warranty Information



Akicon® products have been manufactured under the highest standards of quality and workmanship. Most Akicon faucets are backed by a Limited 5-year Warranty. Consult your specific product manual for coverage details.

Limited 5-year Warranty

Akicon warrants to the original consumer purchaser for as long as the original consumer purchaser owns their home (the “Warranty Period” for homeowners) that this faucet will be leak- and drip-free during normal use, and all parts and finishes of this faucet will be free from defects in material and manufacturing workmanship. All other purchasers (including purchasers for industrial, commercial and business use) are warranted for a period of five (3) years from the original date of purchase (the “Warranty Period” for non-homeowners).

To guarantee warranty on your products, simply register your products at www.akiconshop.com

If this faucet should ever develop a leak or drip during the Warranty Period, Akicon will provide FREE OF CHARGE the parts necessary to put the faucet back in good working condition and will replace FREE OF CHARGE any part or finish that proves defective in material and manufacturing workmanship, under normal installation, use and service. Replacement parts may be obtained by calling 1-302-213-4406. Proof of purchase (original sales receipt) from the original consumer purchaser must accompany all warranty claims. Defects or damage caused by the use of other than genuine Akicon parts is not covered by this warranty. This warranty is applicable only to faucets purchased after Oct 2018 and shall be effective from the date of purchase as shown on purchaser’s receipt.

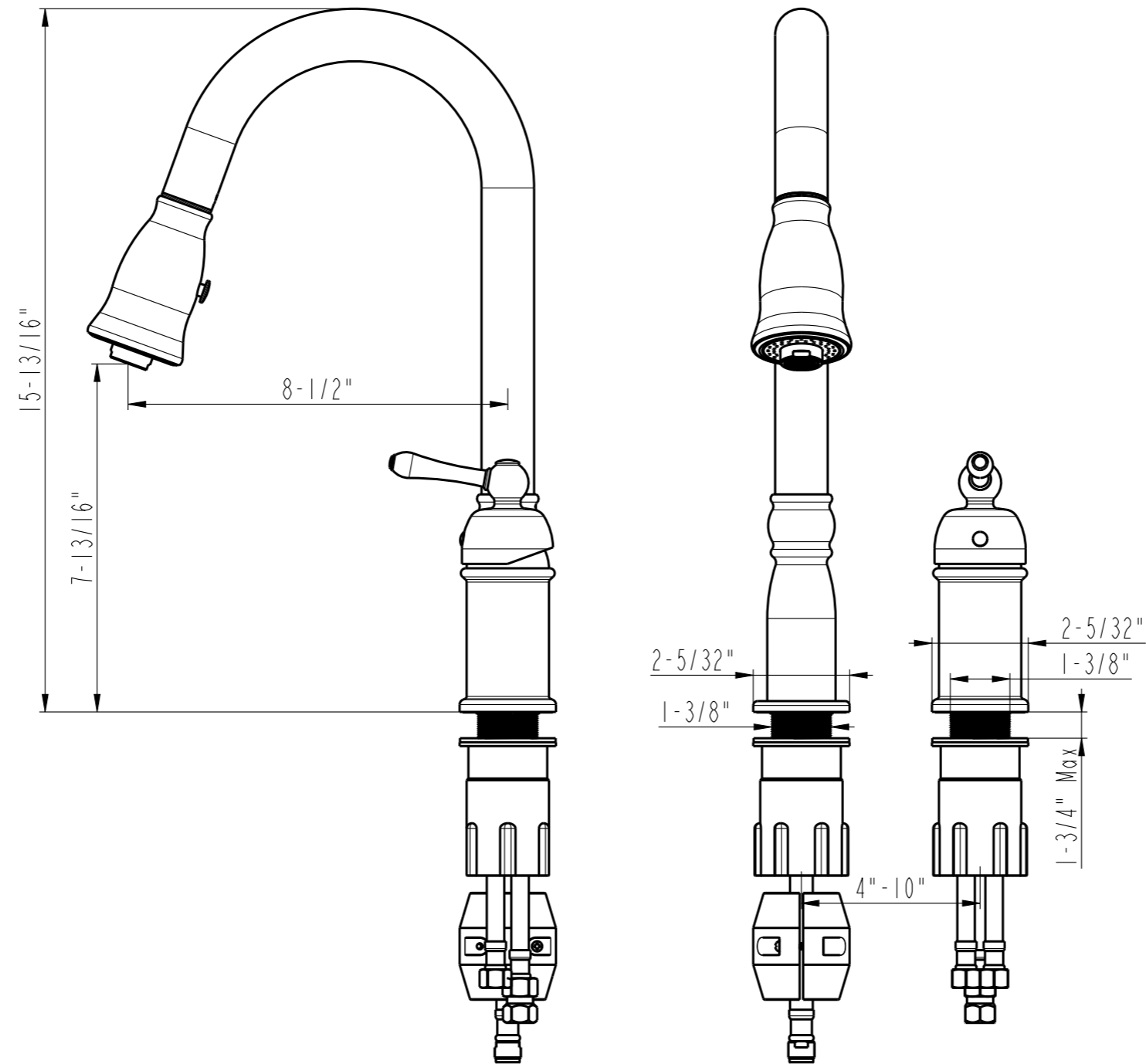
This warranty is extensive in that it covers replacement of all defective parts and finishes. However, damage due to installation error, product abuse, product misuse, or use of cleaners containing abrasives, alcohol or other organic solvents, whether performed by a contractor, service company or yourself, are excluded from this warranty. Akicon will not be responsible for labor charges and/or damage incurred in installation, repair or replacement, nor for any indirect, incidental or consequential damages, losses, injury or costs of any nature relating to this faucet. Except as provided by law, this warranty is in lieu of and excludes all other warranties, conditions and guarantees, whether expressed or implied, statutory or otherwise, including without restriction those of merchantability or of fitness for use.

Some states, provinces and nations do not allow the exclusion or limitation of incidental or consequential damages, so the above limitations or exclusions may not apply to you. This warranty gives you specific legal rights, and you may also have other rights which vary from state to state, province to province, nation to nation. Akicon will advise you of the procedure to follow in making warranty claims. Simply write to Akicon Incorporated using the mailbox below. Explain the defect and include proof of purchase and your name, address, area code and telephone number.

For more warranty information, please visit service@akiconshop.com

In the US:

Akicon Inc
Attn: After-sales department
108 EAST 13TH ST
WILMINGTON, DE 19801



97918-Specifications