



Pull Down Kitchen Faucet Installation Instructions



Questions, problems, missing parts? Before returning to the store,

call AKICON Customer Service

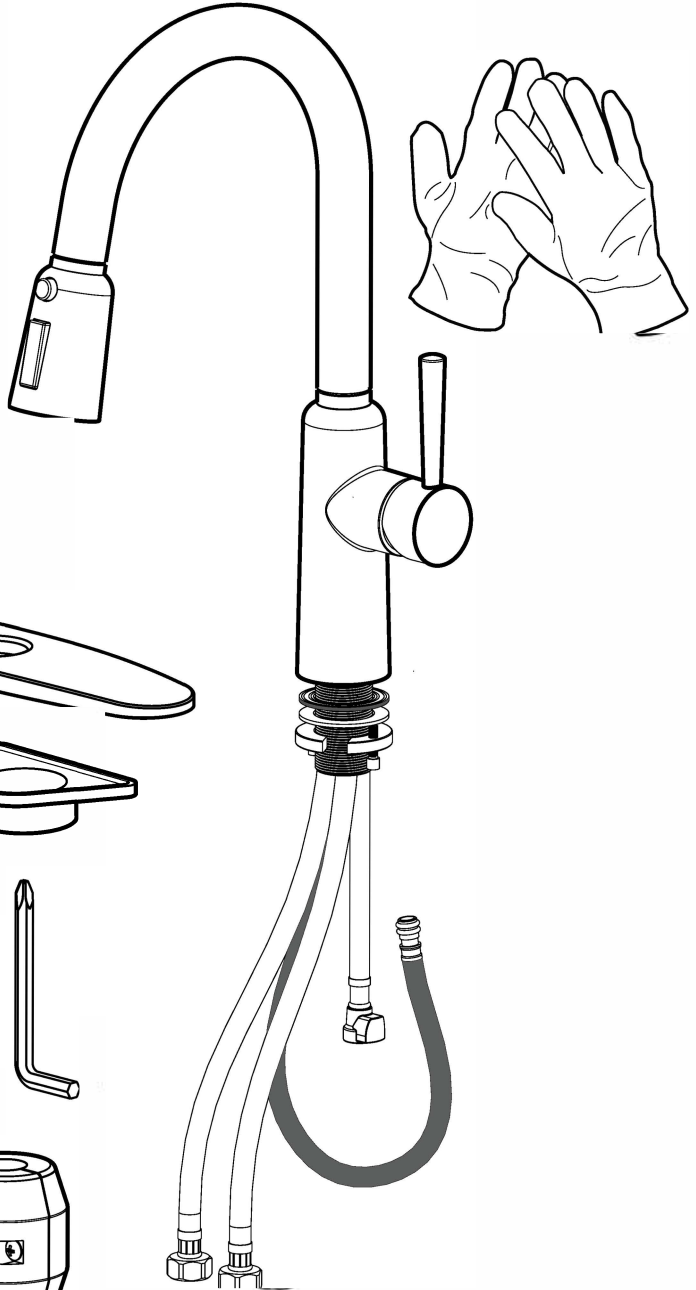
8 a.m.-6 p.m., EST, Monday-Friday

1-302-213-4406 1-302-526-0542

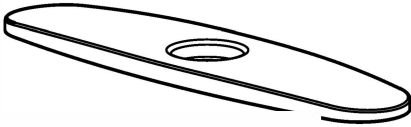
AKICONSHOP.COM



Mounting
Accessories



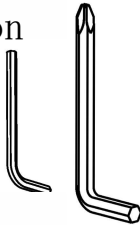
Deck Plate



Triangular
Gasket



Installation
Tool



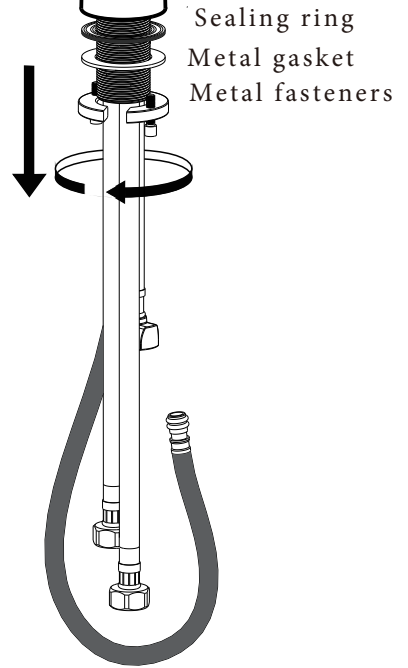
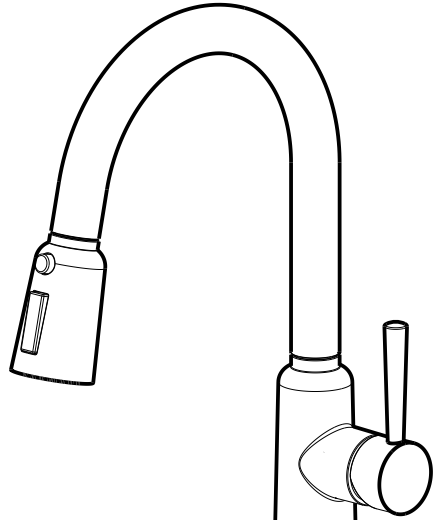
Gravity
Ball



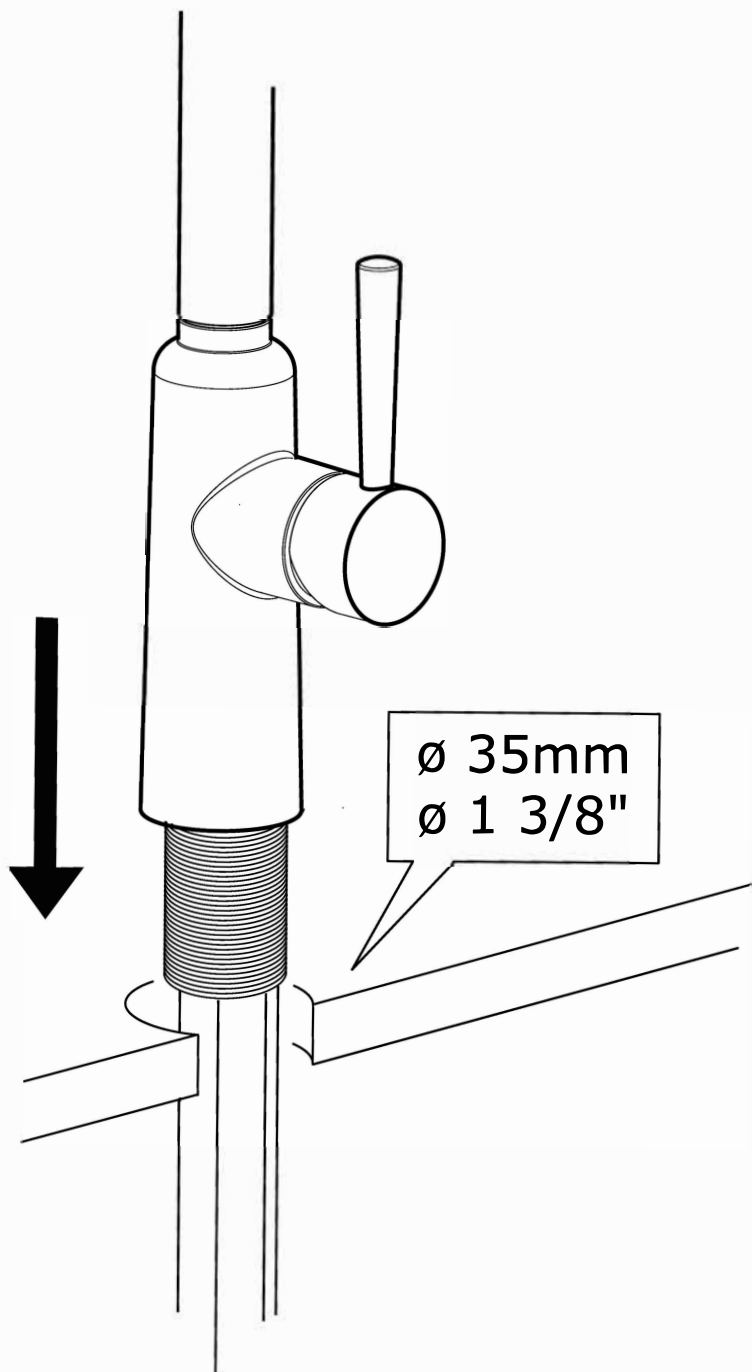
1



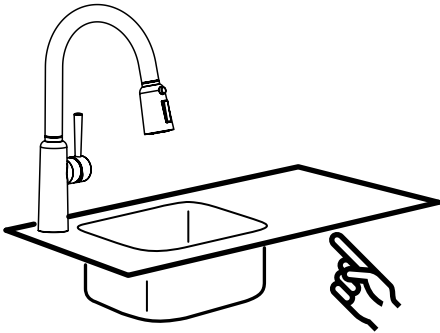
Magnetic Docking



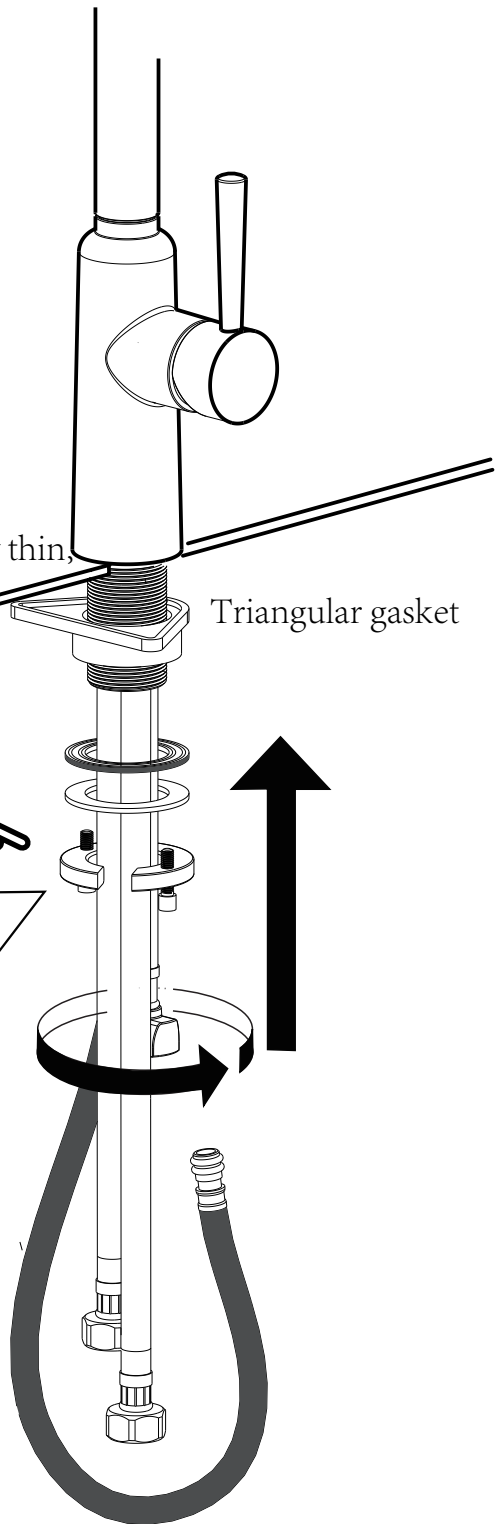
2



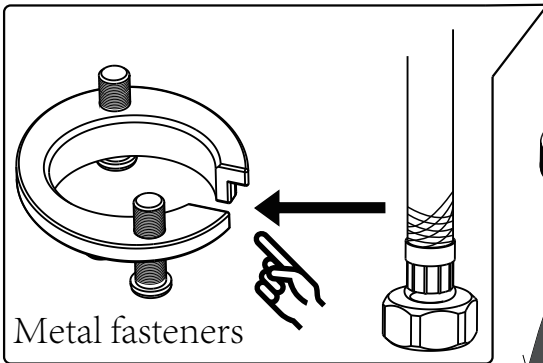
3A



If the counter-top of the sink is very thin, be sure to use triangular gasket

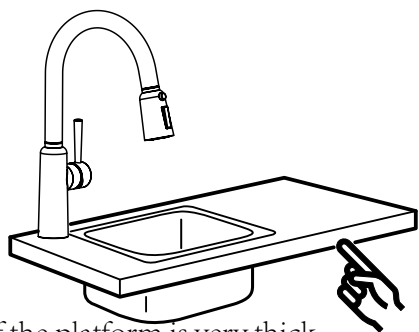


Triangular gasket

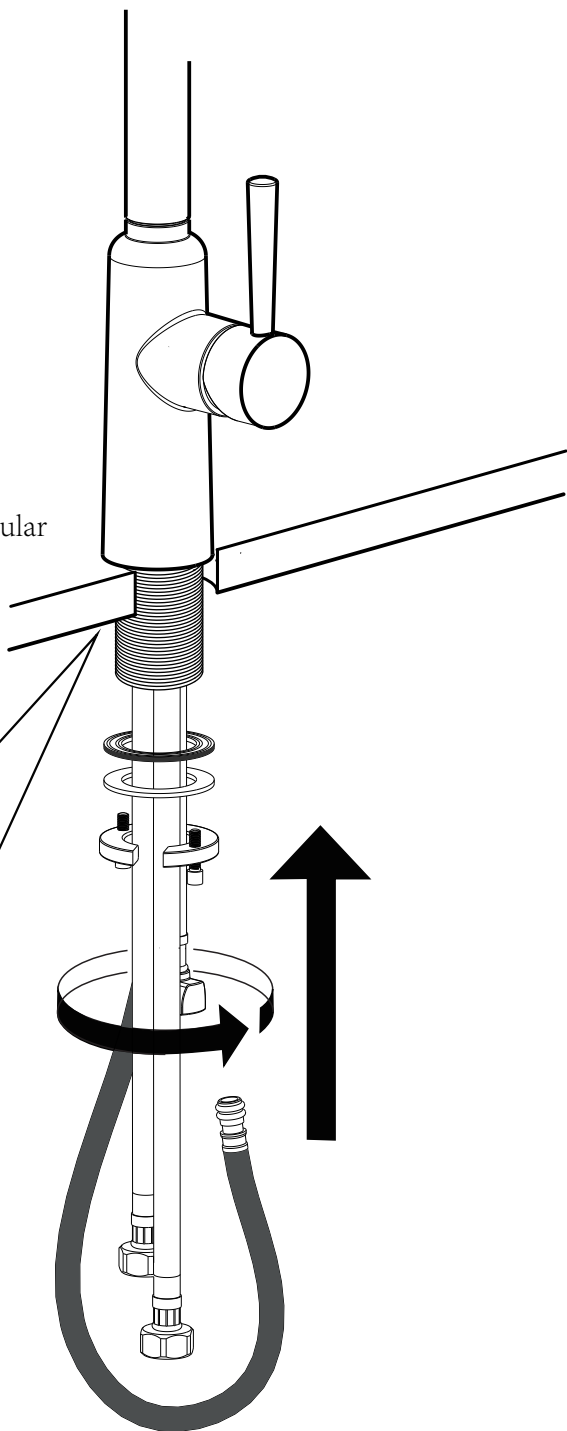
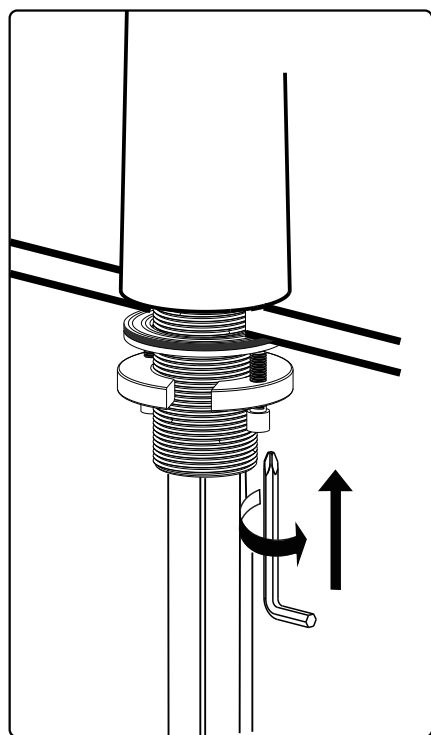


Metal fasteners

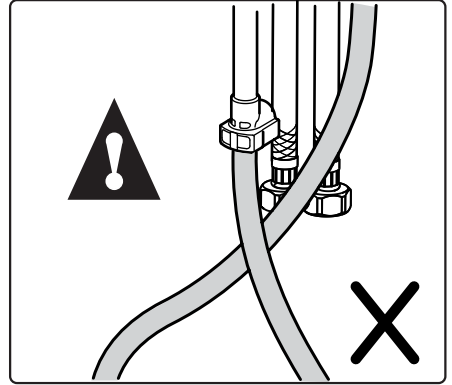
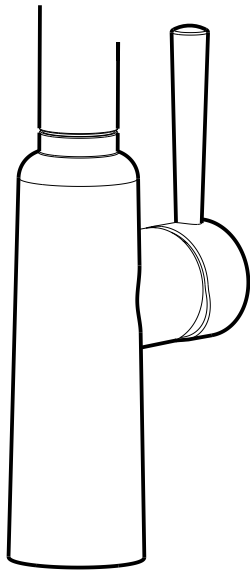
3B



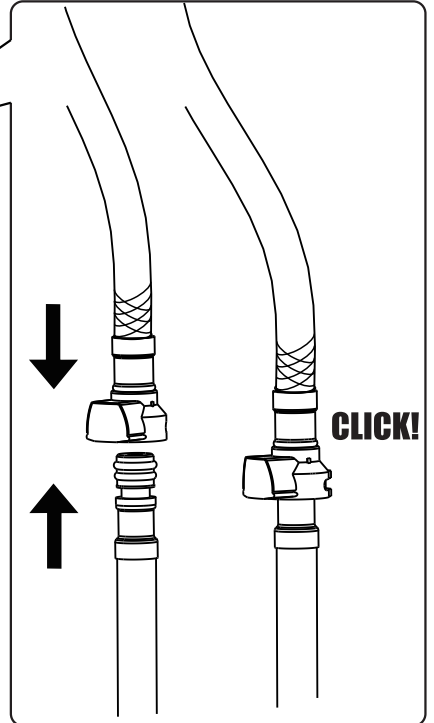
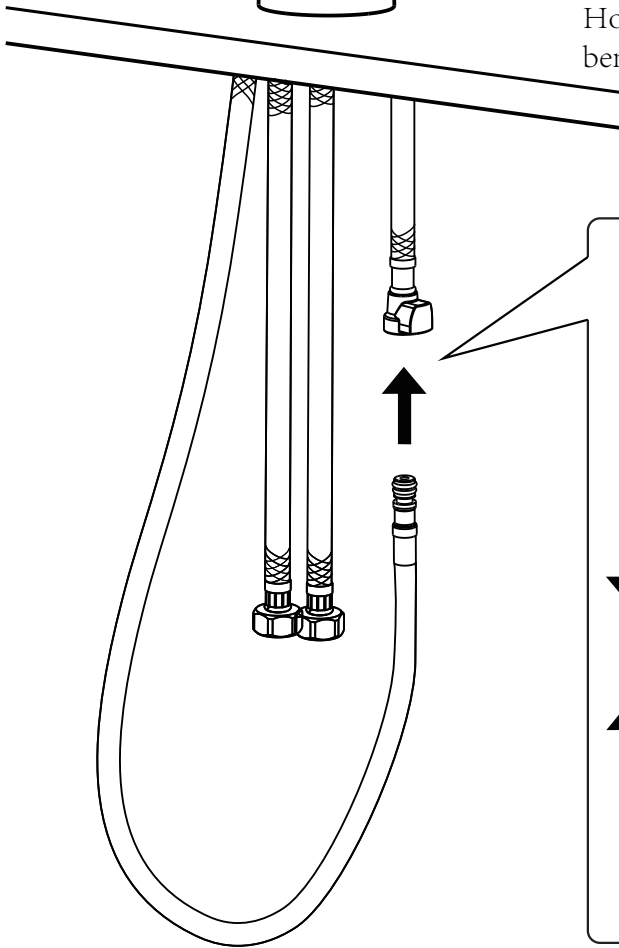
If the platform is very thick, you can also choose not to use triangular gasket according to your own need



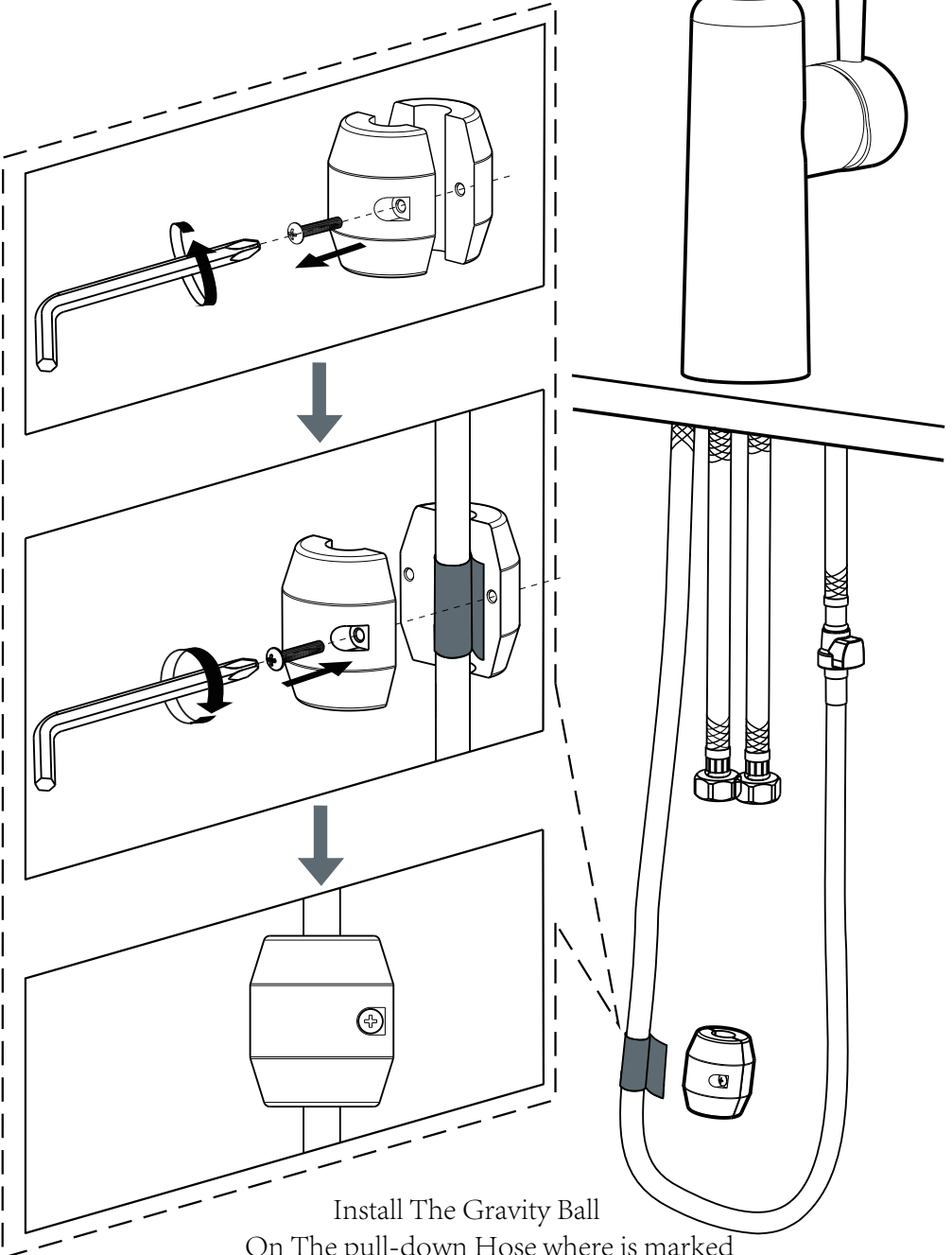
4



Hot and cold water hose cannot be bent and wound

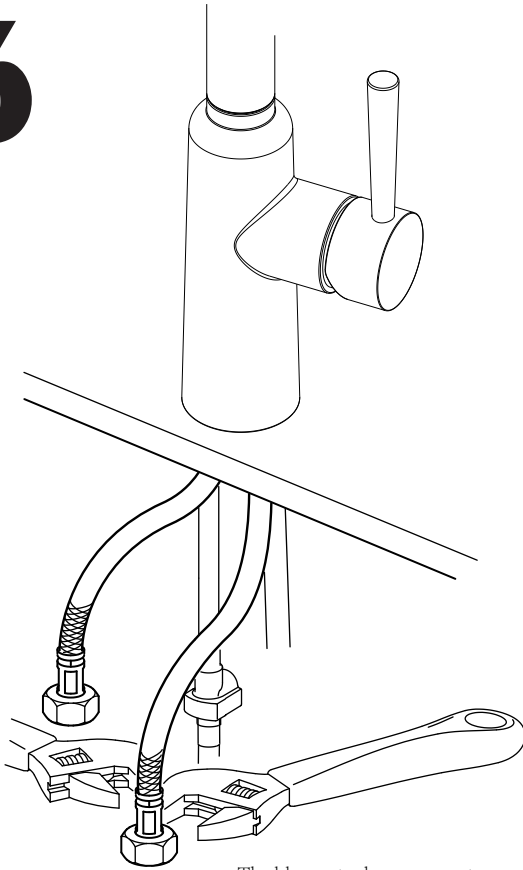


5

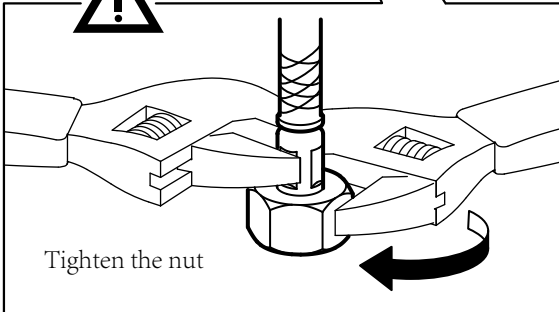
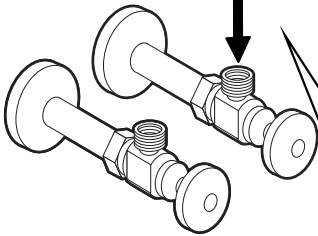


Install The Gravity Ball
On The pull-down Hose where is marked

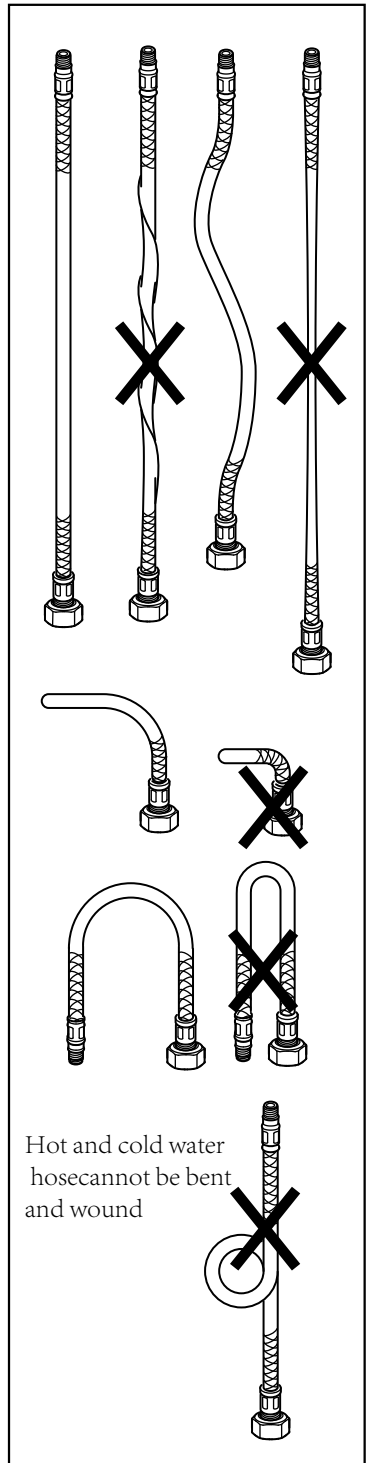
6



The blue water hose connects to the cold water hole and tightened it
The red water hose connects to the hot water hole and tightened it



Tighten the nut





Thanks for your purchase.
If you are satisfied with our products.
Share your shopping experience with friends and families.



Please contact us if you have difficulty with assembly or need replacement parts.
For any questions or feedback, please email us with your order ID.
We are always striving to improve.
Customer Service is here to assist you.