

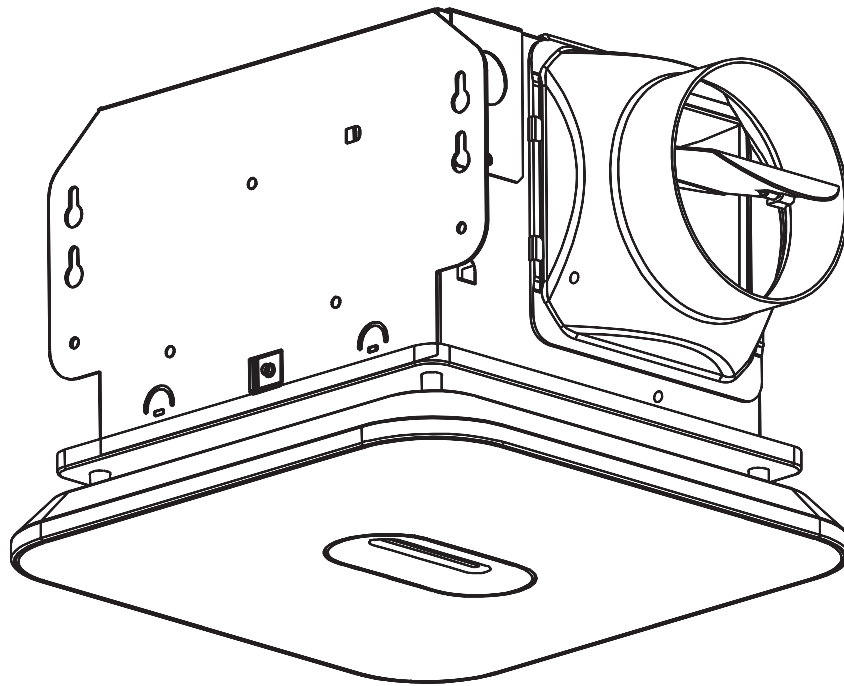


USE AND CARE GUIDE

**AK1390N1-W
AK1390N1-B
AK1390N1-S**

Bathroom Ventilation Fan with Light

READ AND SAVE THESE INSTRUCTIONS



Questions, problems, missing parts? Before returning to the store,
call AKICON Customer Service 8
a.m.-6 p.m.,EST, Monday-Friday
TOLL FREE: +1 (888) 828 2025
service@akiconshop.com
AKICONSHOP.COM

TABLE OF CONTENTS

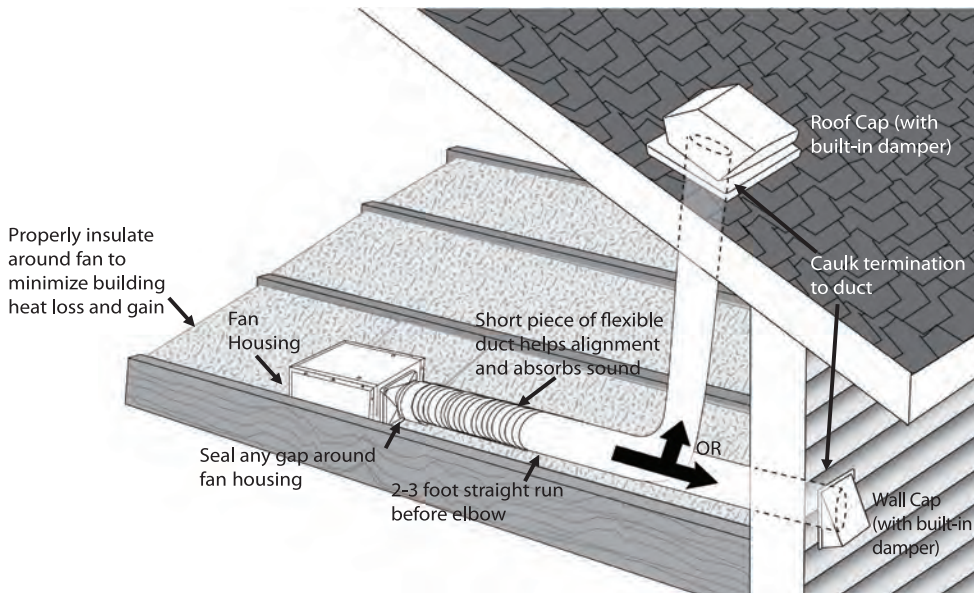
Product Specifications	2
Package and Hardware Contents.....	3
Safety Information	4
Preparation.....	5
New Construction Assembly Instructions	6
Existing Construction Assembly Instructions	8
Care and Maintenance	11
Troubleshooting.....	11
Warranty	11

PRODUCT SPECIFICATIONS

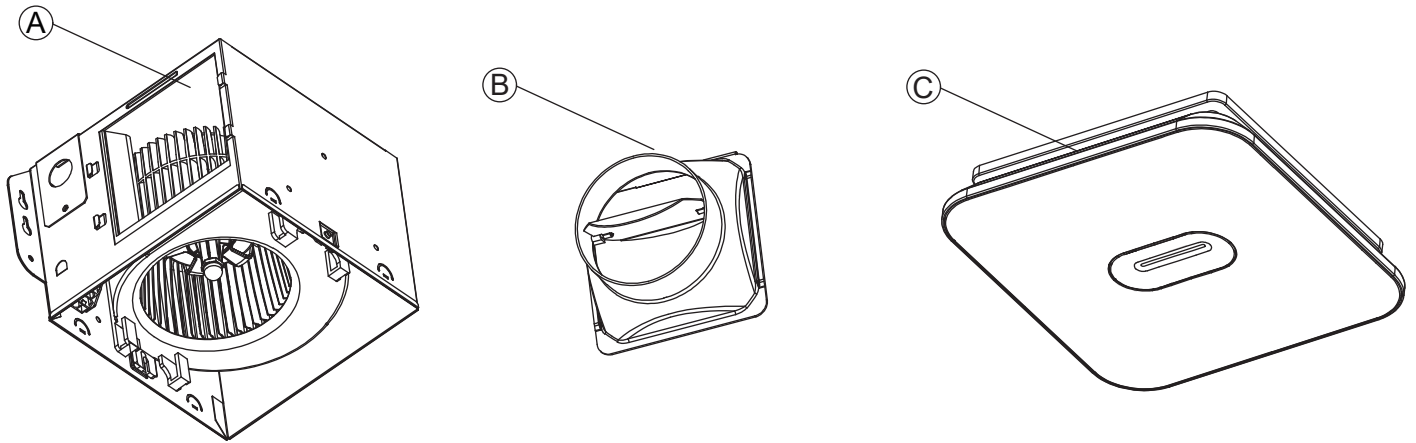
SPECIFICATIONS
Airflow - 90 CFM
120 V, 60 Hz
Power consumption - 26 W
Duct diameter - 4 in.
Weight - 2.6KG

SPECIFICATIONS
Sound output - 1.5 Sones
LED Light - 15W
CCT - 2700K/4000K/5500K
Lumen-1000lm
Night Light - 5W

TYPICAL INSTALLATION



PACKAGE CONTENTS



PART	DESCRIPTION	QUANTITY
A	Fan housing	1
B	Duct adaptor	1

PART	DESCRIPTION	QUANTITY
C	Light components	1

HARDWARE CONTENTS (not actual size)

AA



Long wood screw

Qty.6



SAFETY INFORMATION

READ AND SAVE THESE INSTRUCTIONS

Please read and understand this entire manual before attempting to assemble, operate or install the product.

1. Always disconnect the power supply prior to servicing the fan, motor or junction box.
2. Installation work must be carried out by a qualified person(s) in accordance to all local and safety codes including the rules for fire-rated construction.
3. Follow all local building, safety and electrical codes, as well as NEC (National Electrical Code) and OSHA (Occupational Safety and Health Act).
4. Electric service supply must be 120 volts, 60Hz.
5. This unit must be properly grounded.
6. Do not bend or kink the power wires.
7. Exercise care to not damage existing wiring when cutting or drilling into walls or ceilings.
8. Sufficient air supply is required for proper combustion and the exhaustion of gases through the chimney (flue) of fuel burning equipment to prevent back-drafting. See the standards of NFPA (National Fire Protection Association) and ASHRAE (American Society for Heating Refrigeration and Air Conditioning Engineers) and the local building code authorities.
9. Do not use this fan with any solid state control device. Such as a remote control, dimmer switch, or certain timers. Mechanical timers are not solid state devices.
10. This ventilation fan is approved for use over a bathtub or shower when installed in a GFCI protected circuit. Do not use fans over a bathtub or shower that are not approved for that application and marked accordingly.
11. Do not install in a cooking area.
12. Do not use to exhaust hazardous or explosive vapors.
13. Fans should always be vented to the exterior and in compliance with local codes.
14. Do not install in a ceiling with insulation greater than R40.
15. Duct work should be installed in a straight line with minimal bends.
16. Duct work size must be the same size as the discharge and should not be reduced. Reducing the duct size, may increase fan noise.
17. Prior to servicing or cleaning this unit, shut off power supply at the panel and lock to prevent the power from being turned on. If the panel cannot be locked, clearly mark the panel with a warning tag to prevent the power from being turned on.
18. Use this unit in the manner intended by the manufacturer. If you have any questions, please call the manufacturer (customer service number located on first page).
19. The fan is intended to be mounted at least 7 ft. (2.1 m) above the floor.

PREPARATION

WARNING: Turn off electricity at breaker box before beginning installation.

Carefully remove unit from carton.

Before beginning assembly of product, make sure all parts are present. Compare parts with package contents list and hardware contents. If any part is missing or damaged, do not attempt to assemble the product.

PREPARATION

Check area above installation location to be sure that wiring can run to the planned location and that duct work can be run and the area is sufficient for proper ventilation.

Inspect duct work and wiring before proceeding with installation.

Before installation, provide inspection and future maintenance access at a location that will not interfere with installation work.

Do not attempt to install this fan in a wall or vaulted ceiling. This fan is for standard horizontal ceiling installation only.

You may need the help of a second person to install this fan: one person on the attic side and one on the room side.

Tools required for assembly (not included): Electric Drill, Drill Bits, Phillips Screwdriver, Utility Knife

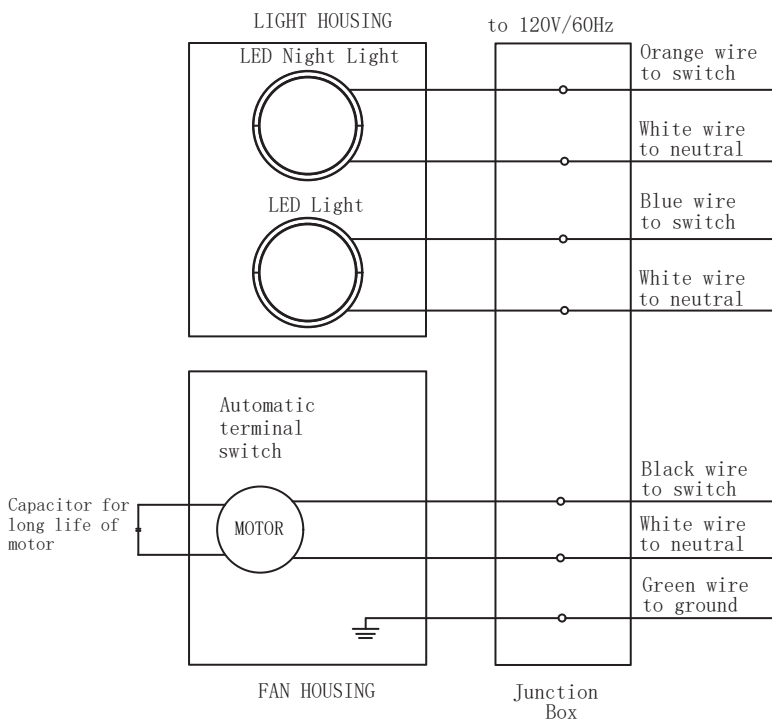
Other supplies you will need (not included): Duct Tape

Note: Installations may vary depending on how the previous bath fan was installed. Supplies necessary for the installation of your bath fan are not all included; however, most are available at your local home improvement or hardware store.

DIMENSIONS

Ceiling Opening (L)	Ceiling Opening (W)
7-1/2 in.	7-3/4 in.

WIRING DIAGRAM



QUICK CONNECTOR INSTRUCTIONS

To be sold only with installation instructions.

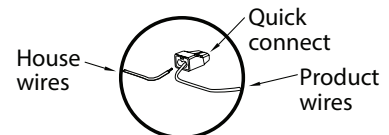
WARNING: Wiring must comply with all applicable electrical codes. Turn OFF power before removing or installing connectors.

WARNING: COPPER TO COPPER ONLY. Do not use aluminum wire.

CAUTION: Accessory part (quick connector) should meet installation instructions below.

NOTE: The connector is reusable on solid wires of the same wire gage or smaller. Do not reuse the connector on stranded wires.

- Strip wires 3/8 in. - 1/2 in.
- Grip the wire firmly and push the stripped end of the wire into the open port of the connector. Use only one conductor per port.
- Verify the stripped end of the wires is fully inserted to the back of the connector.



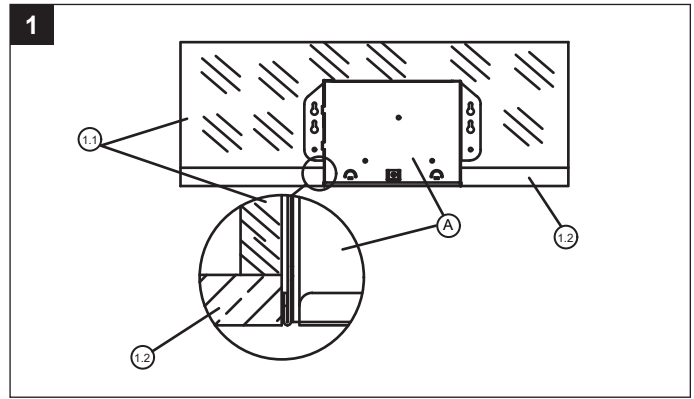
NOTE: Important wire information. Maximum temperature rating 221°F (105°C). 600 volts maximum for building wire and 1,000 volts maximum for building wire and 1,000 volts maximum in signs and lighting fixtures. The acceptable wire range includes: Solid: 12-18 AWG.

NEW CONSTRUCTION ASSEMBLY INSTRUCTIONS

NEW CONSTRUCTION – ATTACHING TO THE JOIST

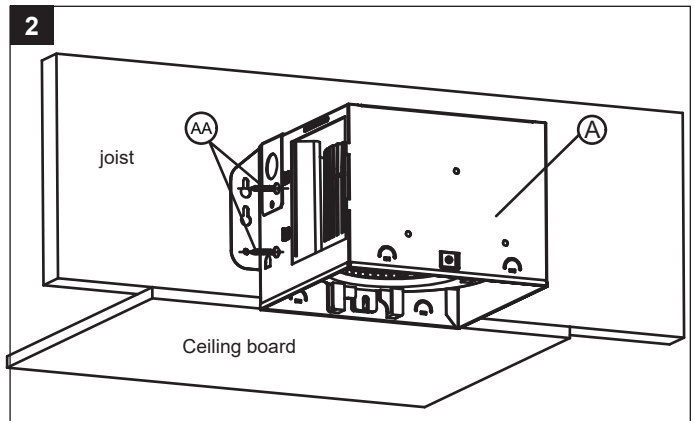
BEFORE INSTALLATION – Turn off power source. Review all safety precautions.

1. Place the fan housing (A) next to a ceiling joist or wall stud (1.1). The fan housing (A) should be level and perpendicular to the joist or wall stud (1.1). Allow for thickness of ceiling board (1.2) used in your application. **DO NOT** flush mount to joist or wall stud (1.1). Bottom of fan housing (A) should be flush with the ceiling board (1.2).

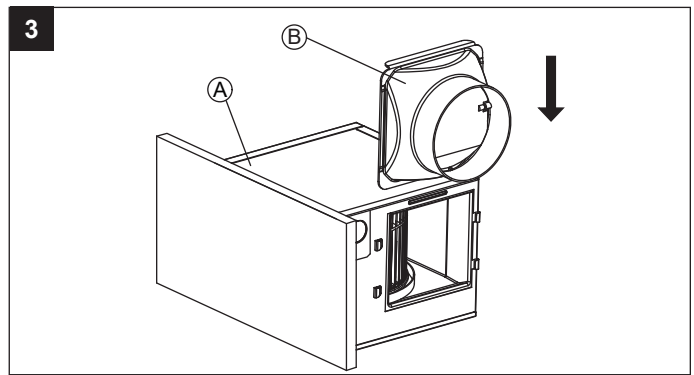


2. Mount the fan housing (A) to joist using the long wood screws (AA) on both sides.

Hardware Used



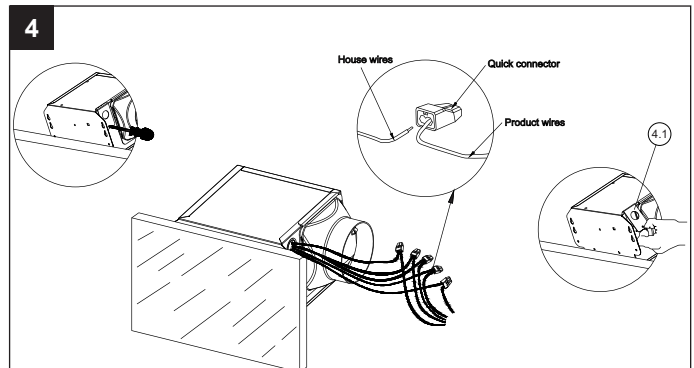
3. Attach the adaptor B to the housing A



4. Remove wiring box cover (4.1). Pull the house wires through the wire box cover hole. Using a quick connector, secure 120 V AC house wiring from the wall switch to the fan as shown in the wiring diagram on page 5. 14 AWG is the smallest conductor that should be used for branch-circuit wiring.

Carefully push the connected wires back into the wiring box housing. Reattach the wiring box cover (4.1).

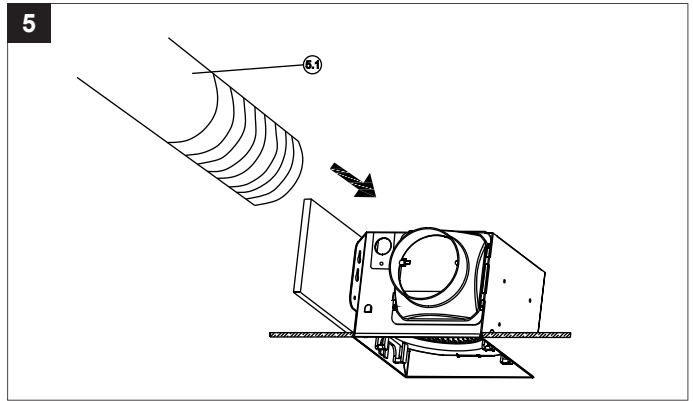
CAUTION: If the electrical wires do not match the colors listed, you must determine what each house wire represents before connecting. You may need to consult an electrical contractor to determine safely.



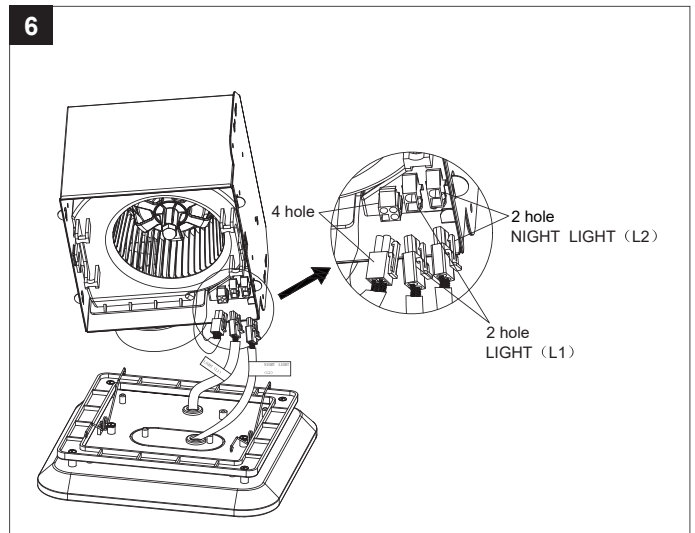
NEW CONSTRUCTION ASSEMBLY INSTRUCTIONS

5. Install a circular 4 in. duct (5.1) (not included) and secure it with duct tape or clamps (neither included).

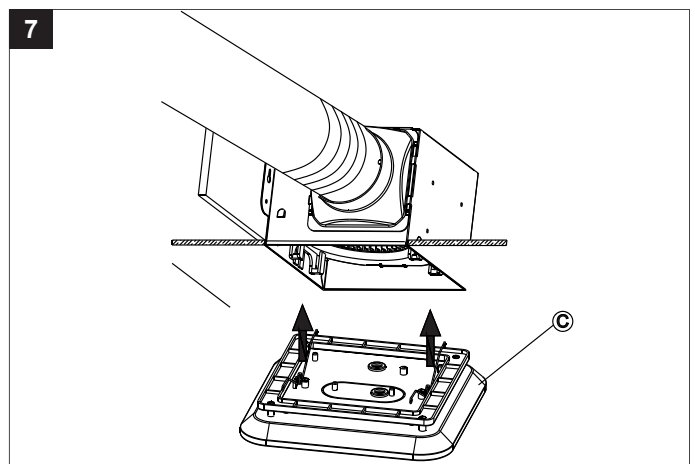
Finish ceiling work. Ceiling hole should be aligned with edge of fan housing (A).



6. Plug the fan motor plug into the fan housing (4 hole to 4 hole). Plug the LED light panel plug into the housing as well. (2 hole to 2 hole)



7. Attach LED light panel C by pinching the mounting springs and inserting them into the narrow rectangular slots in the fan housing. Turn on power source. Test the unit.



NEW CONSTRUCTION ASSEMBLY INSTRUCTIONS

EXISTING CONSTRUCTION ASSEMBLY INSTRUCTIONS

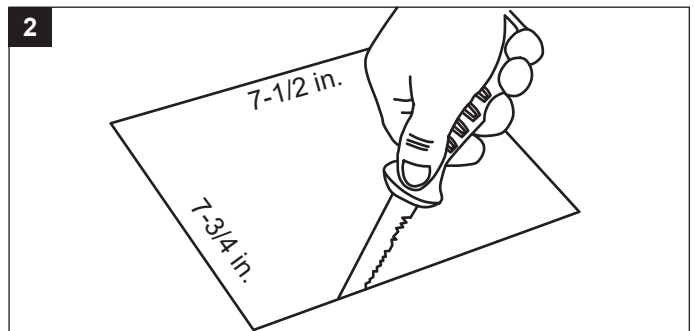
Installing the fan housing in an existing building **REQUIRES AN ACCESSIBLE AREA** (attic or crawl space) above the planned installation location and existing duct and wiring.

BEFORE INSTALLATION – Turn off power source. Review all safety precautions. Remove existing fan.

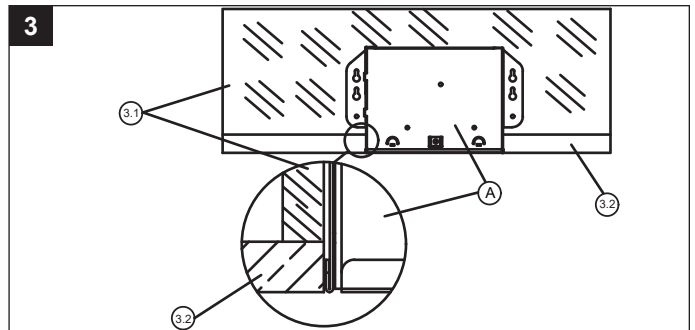
1. Measure the opening to ensure it is large enough to accommodate the new fan housing (7-1/2 in. x 7-1/4 in.).



2. If this fan is not replacing an old fan, be sure to cut a 7-1/2 in. x 7-3/4 in. opening for the fan housing.




3. Place the fan housing (A) next to a ceiling joist or wall stud (3.1). The fan housing (A) should be level and perpendicular to the joist or wall stud (3.1). Allow for thickness of ceiling board (3.2) used in your application. **DO NOT** flush mount to joist or wall stud (3.1). Bottom of fan housing (A) should be flush with the ceiling board (3.2).

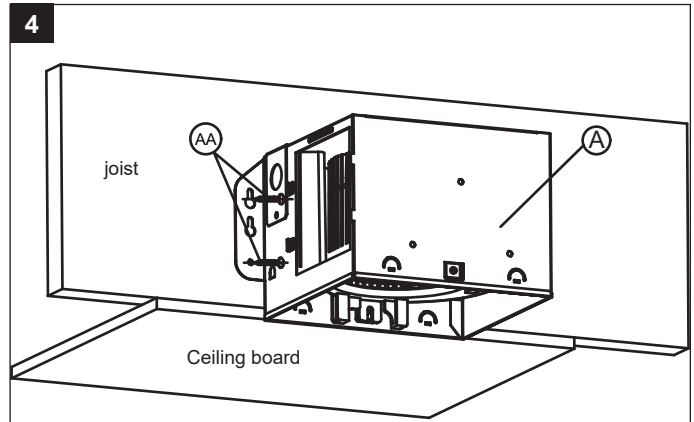


EXISTING CONSTRUCTION ASSEMBLY INSTRUCTIONS

4. Mount the fan housing (A) to joist using the long wood screws (AA) on both sides.

Hardware Used

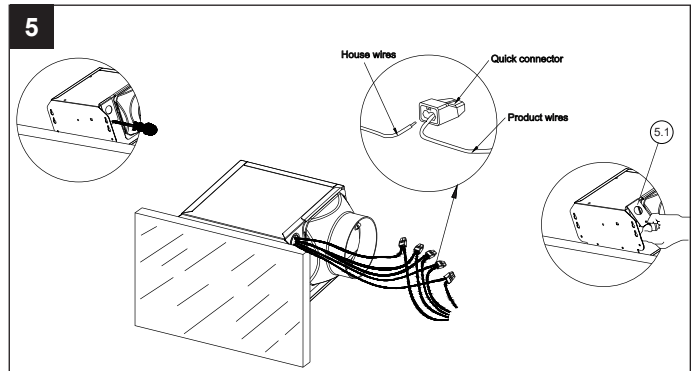

 Long wood screw  x 4



5. Remove wiring box cover (5.1). Pull the house wires through the wire box cover hole. Using a quick connector, secure 120 V AC house wiring from the wall switch to the fan as shown in the wiring diagram on page 5. 14 AWG is the smallest conductor that should be used for branch-circuit wiring.

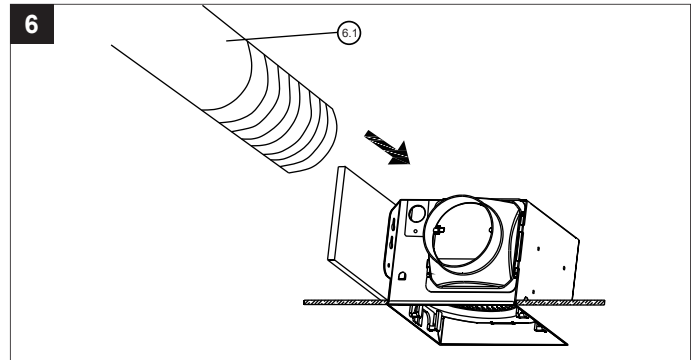
Carefully push the connected wires back into the wiring box housing. Reattach the wiring box cover (5.1).

CAUTION: If the electrical wires do not match the colors listed, you must determine what each house wire represents before connecting. You may need to consult an electrical contractor to determine safely.

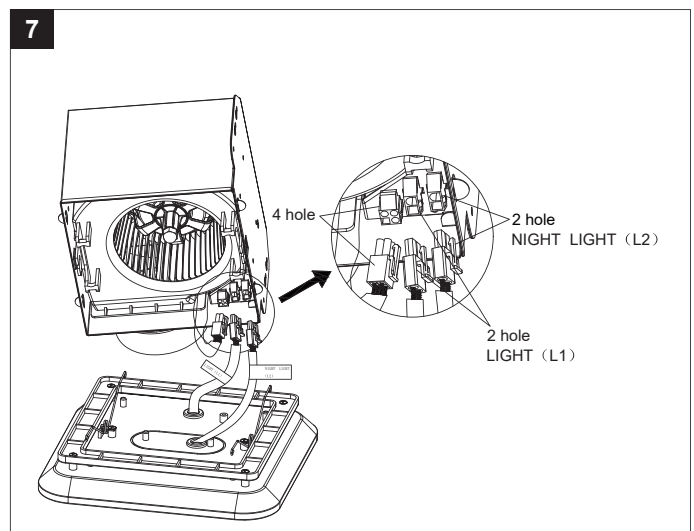


6. Install a circular 4 in. duct (6.1) (not included) and secure it with duct tape or clamps (neither included).

Finish ceiling work. Ceiling hole should be aligned with edge of fan housing (A).

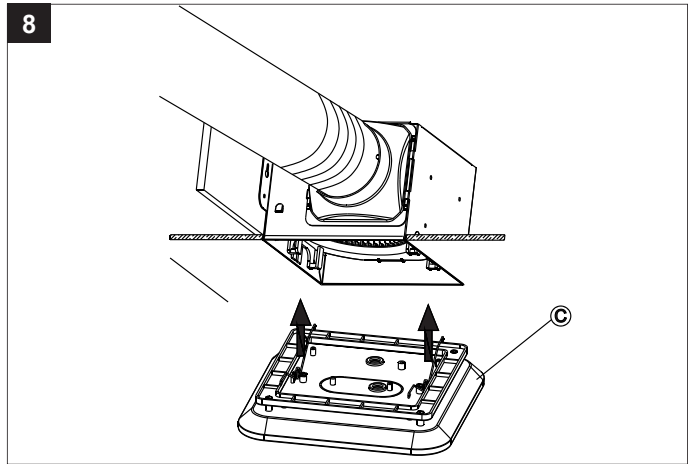


7. Plug the fan motor plug into the fan housing (4 hole to 4 hole). Plug the LED light panel plug into the housing as well. (2 hole to 2 hole)



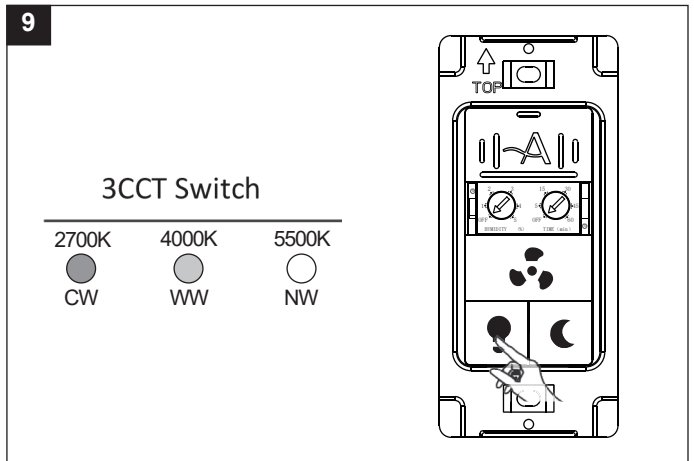
EXISTING CONSTRUCTION ASSEMBLY INSTRUCTIONS

8. Attach LED light panel C by pinching the mounting springs and inserting them into the narrow rectangular slots in the fanhousing. Turn on power source. Test the unit.



9. Connect properly the wires with Three-rocker wall-mounting switch. (**Akicon's Switch AK-SW-FLHT is recommended**)

- For controlling fan: Turn on/off by the first rocker
- For controlling main light: Toggle the second rocker
On/Off/On to change CCT. After 7s off, the light keeps the last memory when turned on again.
- For controlling night light: Turn on/off by the third rocker.



CARE AND MAINTENANCE

WARNING: Disconnect power supply before servicing. See SAFETY INFORMATION before proceeding. Routine maintenance should be done at least once a year.

- Wipe grille with a dry cloth.
- Remove excess dirt and dust from the fan housing with a vacuum cleaner.
- Do not use solvents, thinner or harsh chemicals for cleaning the fan.
- Do not allow water to enter the motor.
- Do not immerse resin parts in water over 140° F.

TROUBLESHOOTING

PROBLEM	POSSIBLE CAUSE	CORRECTIVE ACTION
The fan seems louder than it should	CFM too great	Be sure the CFM rating on the fan matches the size of your room
	Damper not working properly or damaged	Check damper to ensure it is opening and closing properly. If the damper has become damaged, please call Customer Service
	Bend in duct too close to fan discharge	Be sure you do not have any sharp bends in duct closer than 18 in. to the fan discharge
	Fan discharge reduced to fit smaller duct	Use recommended size ducting to reduce fan noise
	Fan housing not securely attached	Be sure the fan is securely attached to your ceiling joists
The fan is not clearing the room	Insufficient intake airflow within room	Be sure a door or window is slightly ajar or opened to allow airflow. The fan is not able to draw air out of the room without enough airflow to draw from
	Insufficient CFM	Be sure the CFM rating on the fan matches the requirements for your room size NOTE: Using a tissue is not an accurate method for determining if the fan is operating properly. If the fan clears steam from the room within approximately 15 minutes of completing your shower, then the fan is operating properly.

LIMITED 3-YEAR WARRANTY

If this product fails due to a defect in materials or workmanship at any time during the first ONE years of ownership, the manufacturer will replace it free of charge, postage-paid at their option. This warranty does not cover products that have been abused, altered, damaged, misused, cut or worn. This warranty does not cover use in commercial applications. Use only manufacturer-supplied genuine warranty repair replacement parts to repair this fan. Use of non-genuine repair parts will void your warranty. The manufacturer DISCLAIMS all other implied or express warranties including all warranties of merchantability and/or fitness for a particular purpose. As some states do not allow exclusions or limitations on an implied warranty, the above exclusions and limitations may not apply. This warranty gives you specific legal rights, and you may have other rights that vary from state to state.

This warranty is limited to the replacement of defective parts only. Labor charges and/or damage incurred during installation, repair, replacement as well as incidental and consequential damages connected with the above are excluded. Any damage to this product as a result of neglect, misuse, accident, improper installation or use other than the purpose SHALL VOID THIS WARRANTY.

Shipping costs for return product as part of a claim on the warranty must be paid for by the customer.

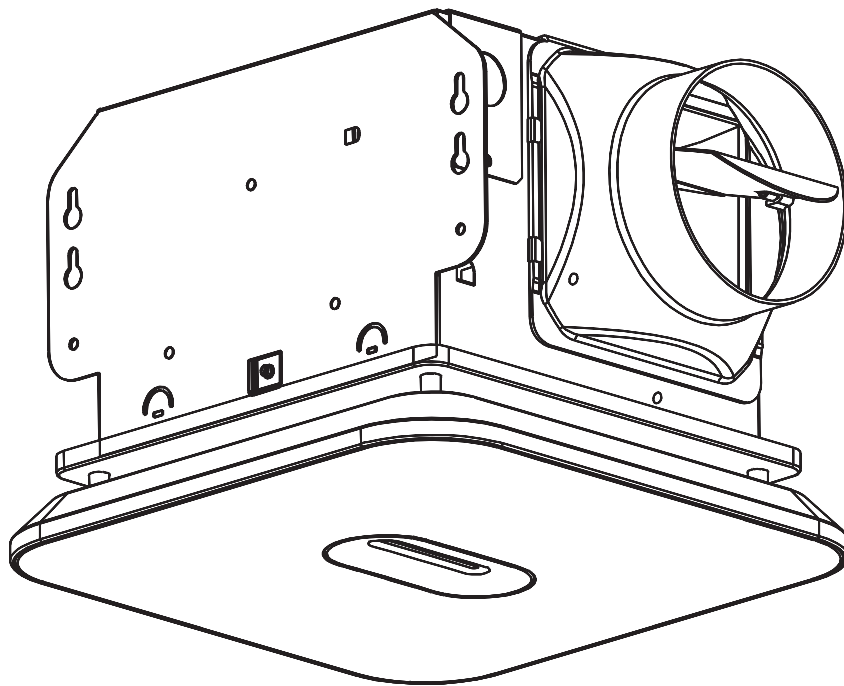
Inquiries regarding warranty claims can be directed to +1 (888) 828 2025, 8 a.m. - 6 p.m., EST, Monday - Thursday, 8 a.m. - 5 p.m., EST, Friday.



GUIDE D'UTILISATION ET D'ENTRETIEN

AK1390N1-W
AK1390N1-B
AK1390N1-S

VENTILATEUR DÉCORATIF AVEC LUMINAIRE À DEL



Des questions, des problèmes, des pièces manquantes?

Avant de retourner l'article au appelez notre service à la clientèle au

8 a.m.-6 p.m.,EST, lundi - le vendredi

TOLL FREE: +1 (888) 828 2025

service@akiconshop.com

AKICONSHOP.COM

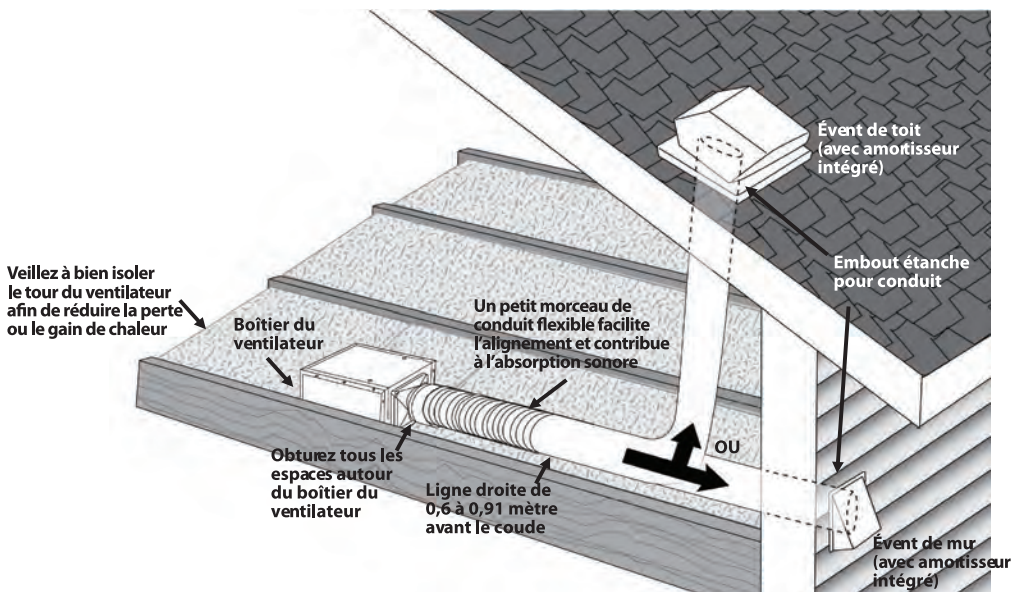
TABLE DES MATIÈRES

Caractéristiques du produit.....	13
Contenu de l'emballage et quincaillerie incluse	14
Consignes de sécurité.....	15
Préparation.....	15
Instructions pour l'assemblage dans une nouvelle construction	17
Instructions pour l'assemblage dans une construction existante	19
Entretien	22
Dépannage.....	22
Garantie.....	22

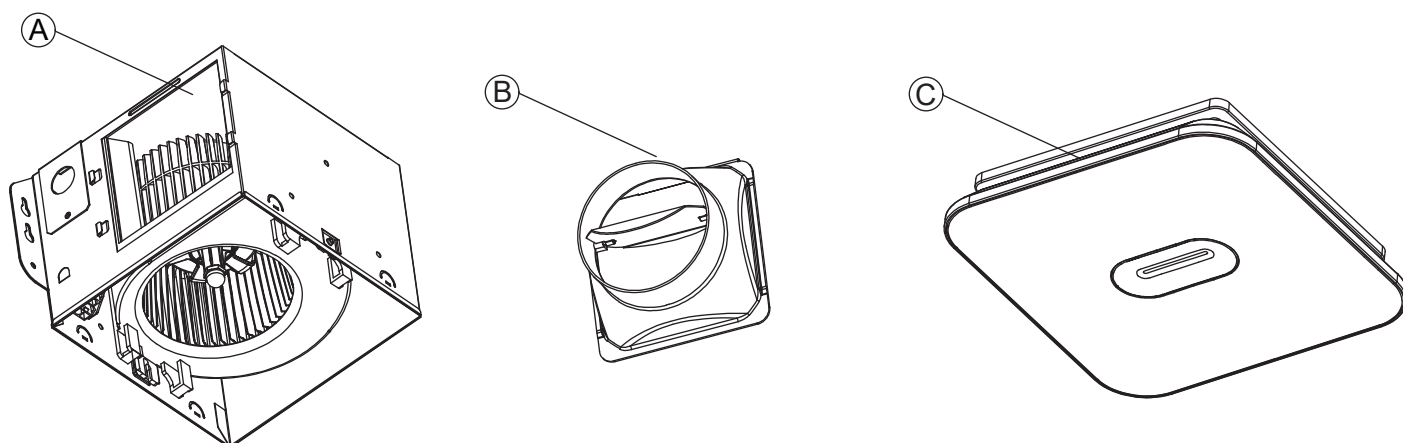
CARACTÉRISTIQUES DU PRODUIT

CARACTÉRISTIQUES	CARACTÉRISTIQUES
Circulation d'air : 90 CFM	Sortie du son : 1.5 sones
120 V, 60 Hz	lumière LED- 15W
Consommation d'énergie du moteur : 26W	CCT - 2700K/4000K/5500K
Diamètre du conduit : 4 in	Lumen-1000lm
Poids : 2.6KG	Veilleuse LED - 5W

INSTALLATION TYPIQUE



CONTENU DE L'EMBALLAGE



PIÈCE	DESCRIPTION	QUANTITÉ
A	Boîtier du ventilateur	1
B	Ensemble luminaire/bordure	1
C	Globe en verre	1
D		

QUINCAILLERIE INCLUSE (grandeur non réelle)

AA



Vis à bois
longue

Qté : 6



CONSIGNES DE SÉCURITÉ

VEUILLEZ LIRE ET CONSERVER CES INSTRUCTIONS.

Assurez-vous de lire et de comprendre l'intégralité du présent manuel avant de tenter d'assembler, d'installer ou d'utiliser l'article.

1. Fermez toujours l'alimentation électrique avant d'effectuer l'entretien du ventilateur, du moteur ou de la boîte de jonction.
2. Les travaux d'installation doivent être effectués par une personne qualifiée, conformément aux codes locaux et de sécurité, y compris les règlements relatifs aux installations pare-feu.
3. Respectez tous les codes de construction, de sécurité et d'électricité de votre région, de même que le Code national de l'électricité et la Loi sur la santé et la sécurité du travail.
4. L'alimentation électrique doit être de 120 V, 60 Hz.
5. Cet appareil doit être mis à la terre de façon appropriée.
6. Ne pliez pas et n'entortillez pas les fils électriques.
7. Veillez à ne pas endommager le câblage existant lors de la découpe ou du forage dans les murs ou les plafonds.
8. La combustion et l'évacuation complètes, par le conduit de fumée, des gaz des appareils de combustion requièrent une circulation d'air adéquate pour prévenir les refoulements d'air. Consultez les normes du Code national de prévention des incendies, de l'American Society for Heating, Refrigeration and Air Conditioning Engineers (ASHRAE) et du Code national du bâtiment.
9. N'utilisez pas ce ventilateur avec un appareil de réglage à semi-conducteurs, comme une télécommande, un gradateur ou certains types de minuteries. Les minuteries mécaniques ne sont pas des dispositifs de réglage à semi-conducteurs.
10. Ce ventilateur d'aération est approuvé pour une utilisation au-dessus d'une baignoire ou d'une douche s'il est installé sur un circuit électrique protégé par un disjoncteur différentiel. N'installez pas ce ventilateur d'aération au-dessus d'une baignoire ou d'une douche s'il ne porte pas une étiquette d'approbation pour une telle utilisation.
11. N'installez pas l'appareil au-dessus d'une surface de cuisson.
12. Ne l'utilisez pas pour évacuer des vapeurs de matières dangereuses ou explosives.
13. Les ventilateurs doivent toujours évacuer l'air à l'extérieur conformément aux codes locaux.
14. N'installez pas l'appareil dans un plafond dont l'isolation excède R-40.
15. Vous devez installer le conduit en ligne droite, avec un minimum de courbes.
16. La taille du conduit doit être égale à celle de la sortie et ne doit pas être réduite. La réduction de la taille du conduit peut augmenter le bruit du ventilateur.
17. Avant de procéder à l'entretien ou au nettoyage de cet appareil, vous devez couper l'alimentation électrique à partir du panneau de distribution et verrouiller celui-ci pour éviter que l'alimentation ne soit rétablie. Si vous ne pouvez pas verrouiller le tableau de distribution, indiquez clairement, à l'aide d'une étiquette d'avertissement, de ne pas rétablir l'alimentation.
18. N'utilisez cet appareil que de la façon prévue par le fabricant. Si vous avez des questions, veuillez communiquer avec le fabricant (le numéro de téléphone du service à la clientèle est à la première page).
19. Le ventilateur doit être installé à une distance d'au moins 2,13 m (7 pi) du sol.

PRÉPARATION

AVERTISSEMENT : Éteignez l'alimentation électrique du disjoncteur avant de commencer l'installation.

Retirez soigneusement l'appareil de la boîte.

Avant de commencer l'assemblage du produit, assurez-vous d'avoir toutes les pièces. Comparez le

PRÉPARATION

contenu de l'emballage avec la liste des pièces et celle de la quincaillerie incluse. S'il y a des pièces manquantes ou endommagées, ne tentez pas d'assembler l'article.

Inspectez l'emplacement au-dessus de l'endroit où vous désirez installer l'appareil pour vous assurer que le câblage peut se rendre à l'endroit prévu, qu'il est possible d'installer un système de conduits et que l'emplacement est suffisamment grand pour une ventilation adéquate.

Avant de commencer l'installation, inspectez le système de conduits et le câblage.

Avant de commencer l'installation, prévoyez un espace permettant l'accès pour les inspections et entretiens futurs qui ne sera pas gêné par l'installation.

N'essayez pas d'installer ce ventilateur dans un mur ou un plafond voûté. Ce ventilateur est pour l'installation de plafond horizontal standard seulement.

Il se peut que vous ayez besoin de l'aide d'une autre personne pour installer le ventilateur : une personne devrait se trouver dans le grenier, et l'autre dans la pièce.

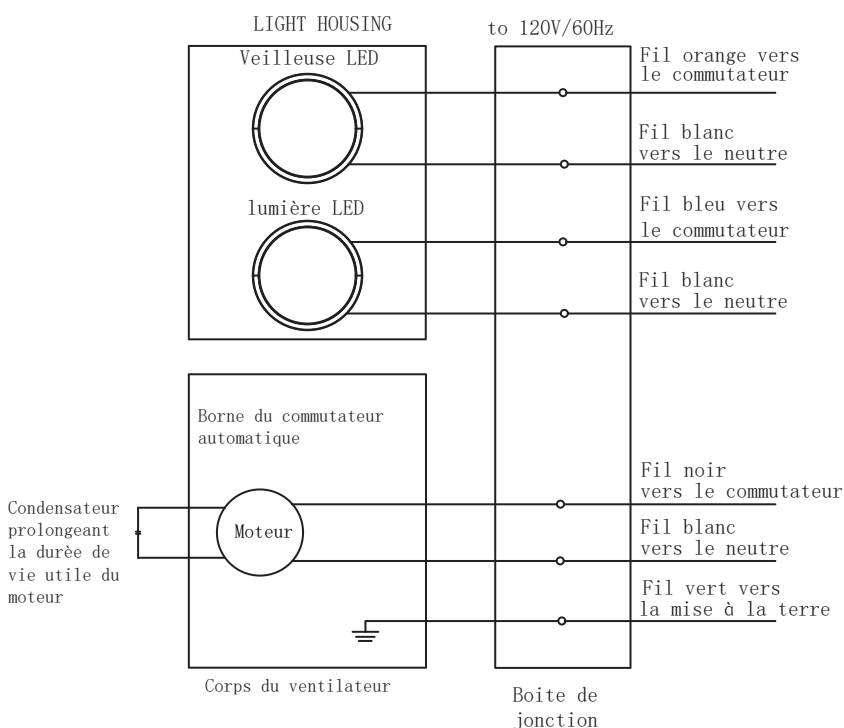
Outils nécessaires pour l'assemblage (non inclus) : perceuse électrique, forets, tournevis cruciforme et couteau à lame rétractable. Autre matériel dont vous aurez besoin (non inclus) : ruban à conduits

Remarque : Les installations peuvent varier selon la manière dont le ventilateur précédent a été installé. Tout le matériel nécessaire à l'installation n'est pas inclus avec le ventilateur, mais vous pouvez vous le procurer chez un détaillant pour rénovation résidentielle ou dans une quincaillerie.

DIMENSIONS

Ouverture dans le plafond (L)	Ouverture dans le plafond (I)
18,8 cm	19,4 cm

SCHÉMA DE CÂBLAGE



INSTRUCTIONS POUR LE RACCORD À BRANCHEMENT RAPIDE

Ne doit être vendu qu'avec les instructions pour l'installation.

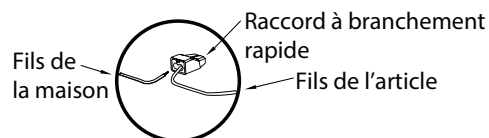
AVERTISSEMENT : Le câblage doit être conforme à tous les codes de l'électricité applicables. Coupez l'alimentation électrique avant de retirer ou d'installer les raccords.

AVERTISSEMENT : COMBINAISON DE CUIVRE AVEC CUIVRE SEULEMENT. N'utilisez pas de fil en aluminium.

ATTENTION : L'accessoire (raccord à branchement rapide) doit être conforme aux instructions pour l'installation ci-dessous.

REMARQUE : Le raccord est réutilisable avec des fils massifs du même calibre ou d'un calibre inférieur. Ne réutilisez pas le raccord avec des fils standard.

- Dénudez les fils de 9,52 mm à 12,7 mm.. Tenez fermement le fil et poussez l'extrémité dénudée du fil dans l'orifice du raccord. Utilisez seulement un conducteur par orifice.
- Vérifiez si l'extrémité dénudée des fils est complètement insérée à l'arrière du raccord.



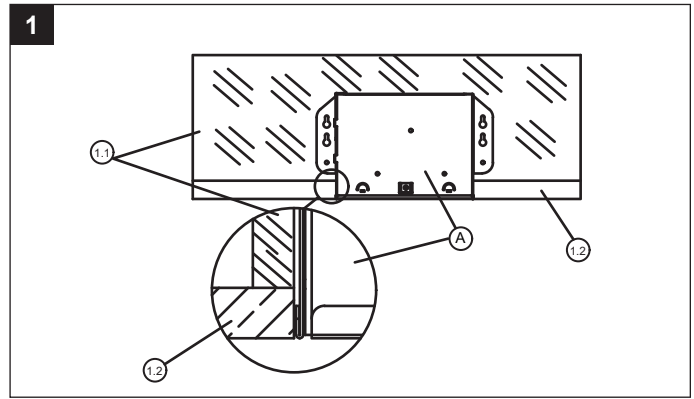
REMARQUE : Information importante pour le raccordement. La cote de température maximale est de 105 °C (221 °F). Maximum de 600 V pour les fils de bâtiment; maximum de 1000 V, pour les fils de bâtiment; maximum de 1000 V, pour les panneaux et les luminaires. Le calibre des fils acceptable est : de 12 à 18 AWG pour le fil massif.

INSTRUCTIONS POUR L'ASSEMBLAGE DANS UNE NOUVELLE CONSTRUCTION

NOUVELLE CONSTRUCTION – FIXATION AUX SOLIVES

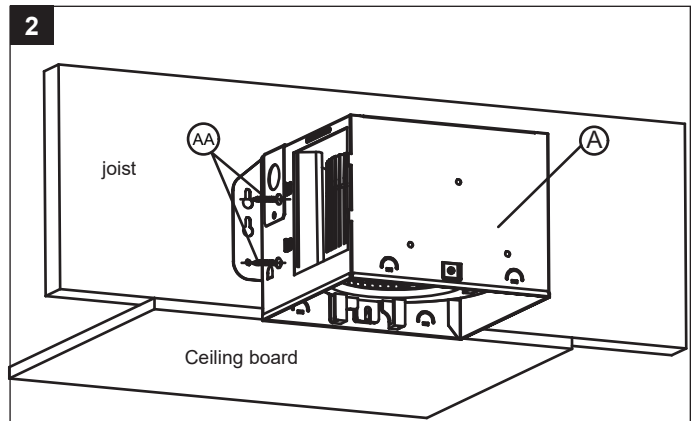
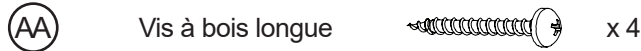
AVANT L'INSTALLATION : coupez l'alimentation électrique.
Consultez toutes les mesures de sécurité.

1. Placez le boîtier du ventilateur (A) près d'une solive de plafond ou d'un montant de cloison (1.1). Le boîtier du ventilateur (A) doit être de niveau et perpendiculaire à la solive ou au montant de cloison (1.1). Veillez à tenir compte de l'épaisseur du panneau plafond (1.2). Ne le placez PAS de niveau avec la solive ou le montant de cloison (1.1). La partie inférieure du boîtier du ventilateur (A) doit être parfaitement alignée au panneau plafond (1.2).

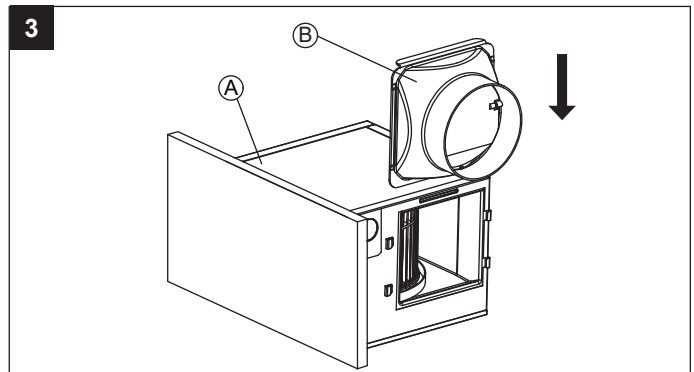


2. Installez le boîtier de ventilateur (A) à la solive à l'aide des longues vis à bois (AA) de chaque côté.

Quincaillerie Utilisée



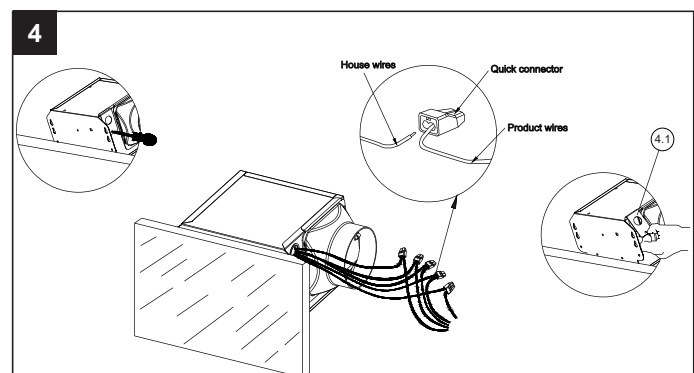
3. Fixer l'adaptateur B au boîtier A



4. Retirez le couvercle de la boîte de câblage (4.1). Passez les fils de la maison à travers le trou du couvercle de la boîte de fils. À l'aide d'un raccord à branchement rapide, fixez le câblage de 120 V c.a. de l'interrupteur mural de la maison au ventilateur tel qu'il est illustré sur le schéma de câblage à la page 5. Un conducteur de calibre 14 AWG est le plus petit conducteur pouvant être utilisé pour un câblage sur un circuit de dérivation.

Repoussez avec précaution les fils raccordés dans la boîte de câblage. Remettez le couvercle de la boîte de câblage (4.1).

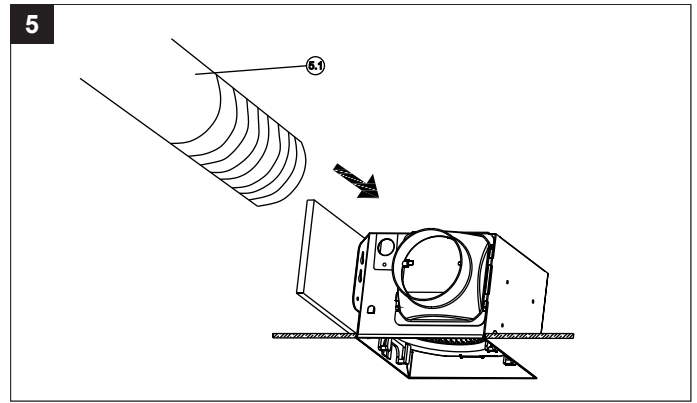
ATTENTION : Si la couleur des fils électriques diffère de celle du manuel, vous devez déterminer la nature de chaque fil avant de les raccorder à l'appareil. Pour le faire en toute sécurité, vous pourriez devoir faire appel à un électricien qualifié.



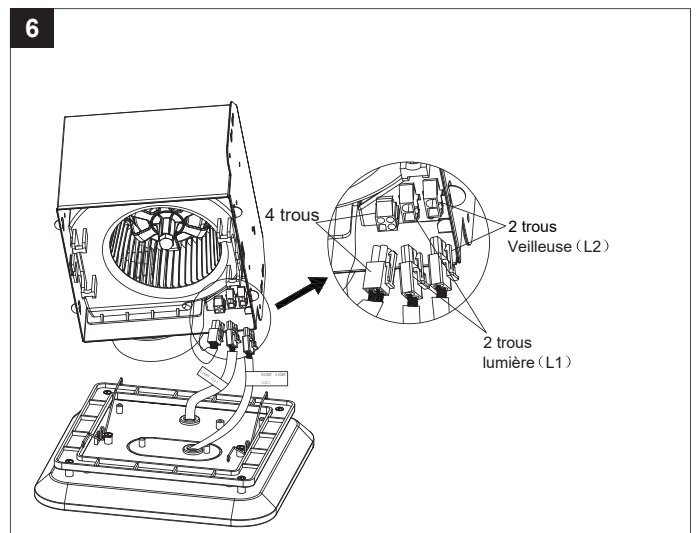
INSTRUCTIONS POUR L'ASSEMBLAGE DANS UNE NOUVELLE CONSTRUCTION

5. Installez un conduit circulaire de 4 po (5.1) (non inclus) et fixez-le à l'aide de ruban à conduits ou d'un collier de serrage (non inclus).

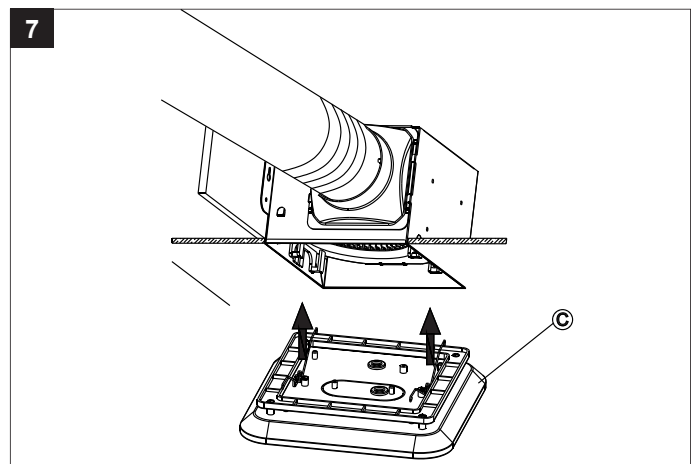
Terminez les travaux au plafond. Vous devez aligner le trou du plafond au rebord du boîtier du ventilateur (A).



6. Branchez la fiche du moteur du ventilateur dans le boîtier du ventilateur (4 trous à 4 trous). Branchez la fiche du panneau lumineux à DEL dans le boîtier également. (2 trous à 2 trous).



7. Fixez le panneau lumineux LED C en pinçant les ressorts de montage et en les insérant dans les étroites fentes rectangulaires du boîtier du ventilateur. Mettez l'appareil sous tension. Testez l'appareil.



INSTRUCTIONS POUR L'ASSEMBLAGE DANS UNE NOUVELLE CONSTRUCTION

INSTRUCTIONS POUR L'ASSEMBLAGE DANS UNE CONSTRUCTION EXISTANTE

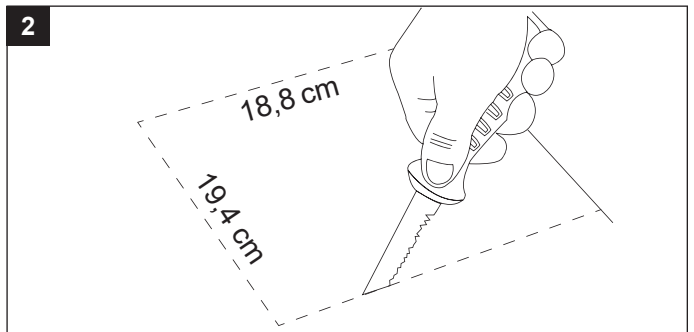
Pour installer le boîtier du ventilateur dans un bâtiment déjà construit, **VOUS DEVEZ AVOIR ACCÈS**, par le grenier ou le faux-plafond, à l'emplacement se trouvant au-dessus de l'endroit prévu pour l'installation et aux conduits et au câblage déjà installés.

AVANT L'INSTALLATION : coupez l'alimentation électrique. Consultez toutes les mesures de sécurité. Retirez le vieux ventilateur.

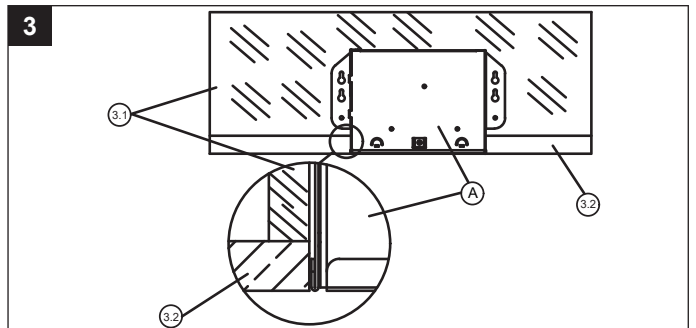
1. Mesurez l'ouverture pour vous assurer qu'elle est assez grande pour accueillir le boîtier du nouveau ventilateur (19,2 cm x 18,6 cm).



2. S'il s'agit d'un premier ventilateur, taillez une ouverture de 19,4 cm x 18,8 cm pour le boîtier du ventilateur.



3. Placez le boîtier du ventilateur (A) près d'une solive de plafond ou d'un montant de cloison (3.1). Le boîtier du ventilateur (A) doit être de niveau et perpendiculaire à la solive ou au montant de cloison (3.1). Veillez à tenir compte de l'épaisseur du panneau plafond (3.2). Ne le placez PAS de niveau avec la solive ou le montant de cloison (3.1). La partie inférieure du boîtier du ventilateur (A) doit être parfaitement alignée au panneau plafond (3.2).



INSTRUCTIONS POUR L'ASSEMBLAGE DANS UNE CONSTRUCTION EXISTANTE

4. Installez le boîtier de ventilateur (A) à la solive à l'aide des longues vis à bois (AA) de chaque côté.

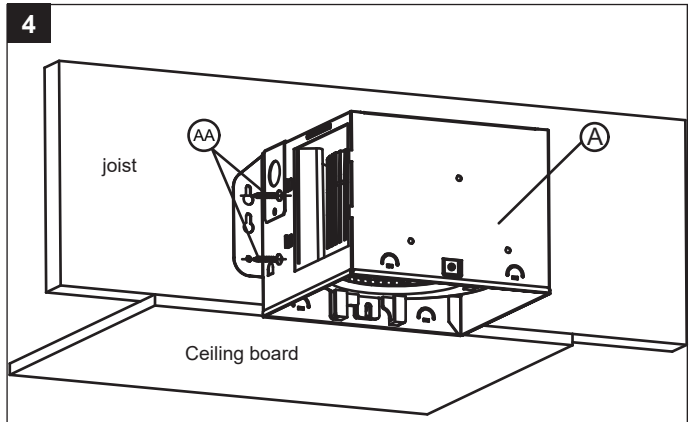
Quincaillerie Utilisée



Vis à bois longue



x 4



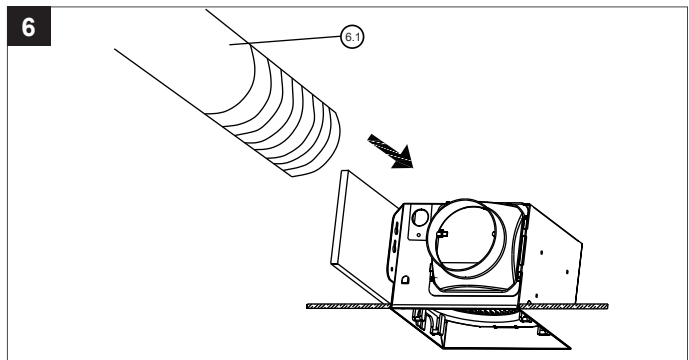
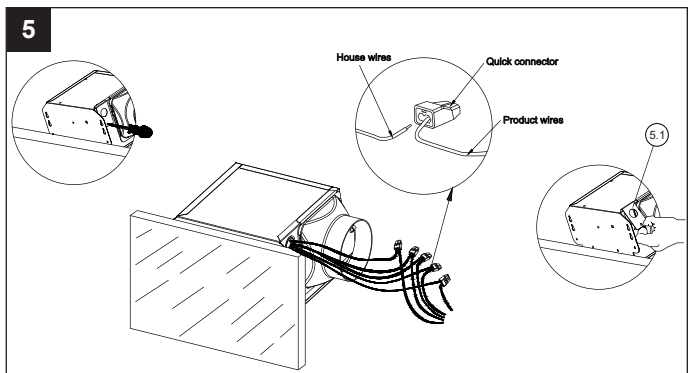
5. Retirez le couvercle de la boîte de câblage (5.1). Passez les fils de la maison à travers le trou du couvercle de la boîte de fils. À l'aide d'un raccord à branchement rapide, fixez le câblage de 120 V c.a. de l'interrupteur mural de la maison au ventilateur tel qu'il est illustré sur le schéma de câblage à la page 5. Un conducteur de calibre 14 AWG est le plus petit conducteur pouvant être utilisé pour un câblage sur un circuit de dérivation.

Repoussez avec précaution les fils raccordés dans la boîte de câblage. Remettez le couvercle de la boîte de câblage (5.1).

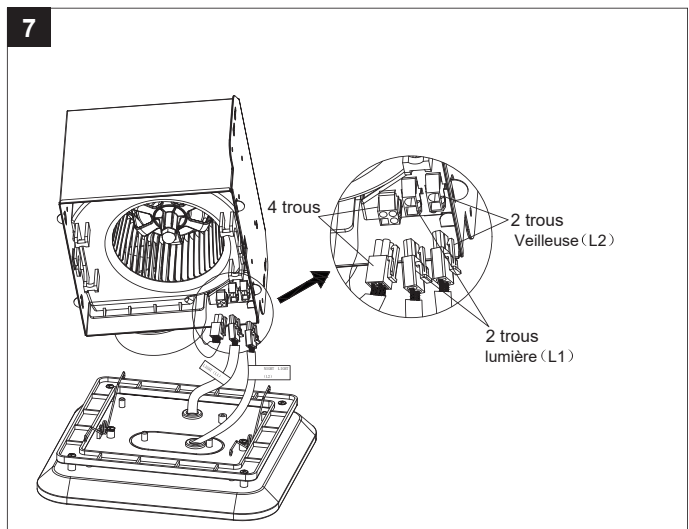
ATTENTION : Si la couleur des fils électriques diffère de celle du manuel, vous devez déterminer la nature de chaque fil avant de les raccorder à l'appareil. Pour le faire en toute sécurité, vous pourriez devoir faire appel à un électricien qualifié.

6. Installez un conduit circulaire de 4 po (6.1) (non inclus) et fixez-le à l'aide de ruban à conduits ou d'un collier de serrage (non inclus).

Terminez les travaux au plafond. Vous devez aligner le trou du plafond au rebord du boîtier du ventilateur (A).

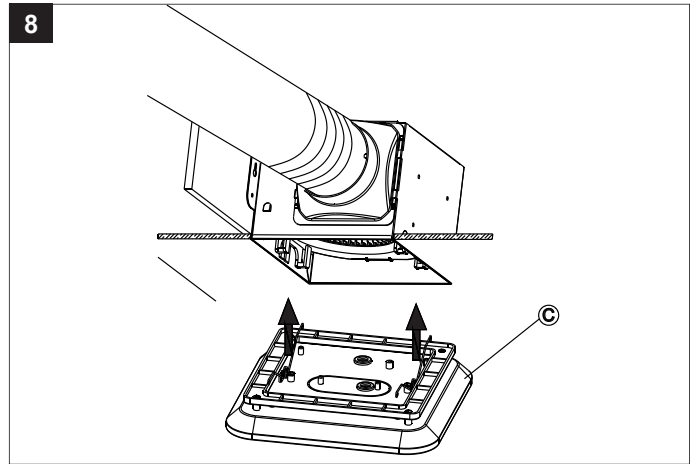


7. Branchez la fiche du moteur du ventilateur dans le boîtier du ventilateur (4 trous à 4 trous). Branchez la fiche du panneau lumineux à DEL dans le boîtier également. (2 trous à 2 trous).



INSTRUCTIONS POUR L'ASSEMBLAGE DANS UNE CONSTRUCTION EXISTANTE

8. Fixez le panneau lumineux LED C en pinçant les ressorts de montage et en les insérant dans les étroites fentes rectangulaires du boîtier du ventilateur. Mettez l'appareil sous tension. Testez l'appareil.



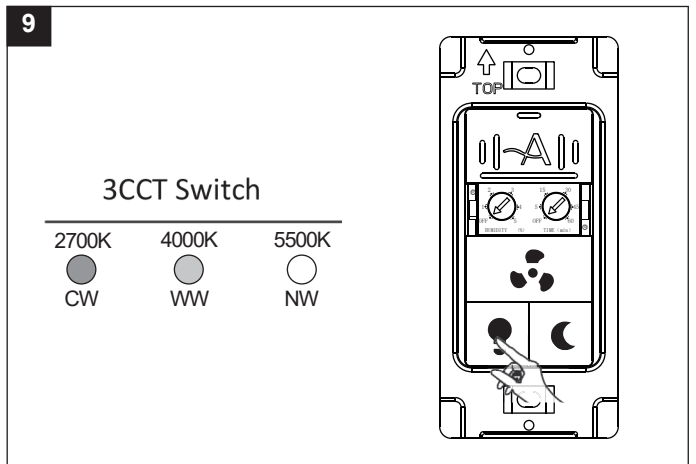
9. Connecter correctement les fils avec l'interrupteur mural à trois branches (l'interrupteur AK-SW-FLHT d'Akicon est recommandé).

-Pour contrôler le ventilateur : Allumer/éteindre par le premier interrupteur à bascule

-Pour contrôler l'éclairage principal : Basculer le deuxième interrupteur à bascule

Pour contrôler l'éclairage principal : basculer le deuxième interrupteur On/Off/On pour changer le CCT. Après 7 secondes d'arrêt, la lumière conserve la dernière mémoire lorsqu'elle est rallumée.

-Pour contrôler la lumière de nuit : Allumer/éteindre à l'aide de la troisième bascule.



ENTRETIEN

AVERTISSEMENT : Coupez l'alimentation électrique avant d'effectuer l'entretien. Lisez les CONSIGNES DE SÉCURITÉ avant de commencer. Vous devez procéder à un entretien au moins une fois par année.

- Nettoyez la grille à l'aide de savon doux et d'eau, et essuyez-la avec un linge.
- Enlevez la poussière et la saleté du boîtier du ventilateur à l'aide d'un aspirateur.
- N'utilisez ni solvant, ni diluant, ni produit chimique fort pour nettoyer le ventilateur.
- Ne laissez pas de l'eau s'infiltrer dans le moteur.
- N'immergez aucune pièce en résine dans de l'eau dépassant 60 °C.

DÉPANNAGE

PROBLÈME	CAUSE POSSIBLE	MESURE CORRECTIVE
Le ventilateur semble trop bruyant	Le débit en m ³ /min est trop élevé.	Assurez-vous que le débit en m ³ /min du ventilateur est approprié pour la taille de la pièce.
	Le registre ne fonctionne pas correctement ou est endommagé.	Vérifiez que le registre s'ouvre et se ferme correctement. Si le registre est endommagé, veuillez communiquer avec notre service à la clientèle.
	Un des coudes du conduit est situé trop près de la sortie du ventilateur.	Assurez-vous qu'aucun coude à angle aigu du conduit ne se trouve à moins de 45,72 cm de la sortie du ventilateur.
	La sortie du ventilateur a été réduite en fonction d'un conduit plus petit.	Utilisez la taille de conduit recommandée pour réduire le bruit du ventilateur.
	Le boîtier du ventilateur n'est pas fixé solidement.	Assurez-vous que le ventilateur est fixé solidement aux solives du plafond.
Le ventilateur n'évacue pas l'humidité	La circulation d'air est insuffisante dans la pièce.	Assurez-vous d'entrouvrir ou d'ouvrir complètement une porte ou une fenêtre pour permettre la circulation de l'air. Sans une circulation d'air adéquate, le ventilateur ne peut pas évacuer l'air de la pièce.
	Le débit en m ³ /min est insuffisant.	Assurez-vous que le débit en m ³ /min du ventilateur correspond à celui exigé pour la taille de la pièce. REMARQUE : L'utilisation d'un papier-mouchoir ne permet pas de déterminer avec précision si le ventilateur fonctionne correctement. Si le ventilateur évacue la vapeur de la pièce dans les 15 minutes environ suivant la fin d'une douche, c'est qu'il fonctionne correctement.

GARANTIE LIMITÉE DE 3 ANS

Si le ventilateur présente des défauts de matériaux ou de fabrication à tout moment pendant ses UN premières an, le fabricant le remplacera sans frais (port payé selon le cas). Cette garantie ne couvre pas les produits qui ont fait l'objet d'un usage abusif ou inapproprié, ou qui ont été modifiés, endommagés, coupés ou usés. Elle ne couvre pas non plus les produits utilisés à des fins commerciales. Utilisez uniquement des pièces de rechange d'origine provenant du fabricant pour réparer le ventilateur. L'utilisation de pièces non d'origine annulera la garantie. Le fabricant DÉCLINE toute autre garantie implicite ou expresse, y compris toutes les garanties de qualité marchande ou de conformité à un usage particulier. Certains états ou certaines provinces ne permettent pas l'exclusion ou la limitation d'une garantie implicite, de sorte que les exclusions et les limitations mentionnées ci-dessus peuvent ne pas s'appliquer à vous. Cette garantie vous confère des droits précis. Il est possible que vous disposiez également d'autres droits, qui varient d'un État ou d'une province à l'autre.

La présente garantie se limite exclusivement au remplacement des pièces défectueuses. Les frais de main-d'œuvre, les dommages occasionnés pendant l'installation, les réparations, le remplacement et les dommages accessoires ou consécutifs liés à ce qui précède sont exclus. Tout dommage causé à ce produit en raison d'une négligence, d'un usage inapproprié, d'un accident, d'une installation inadéquate ou de toute autre activité ne correspondant pas à son utilisation prévue INVALIDE LA GARANTIE.

Le client doit s'acquitter des frais d'expédition pour tout retour de produit pour une réclamation en vertu de la garantie.

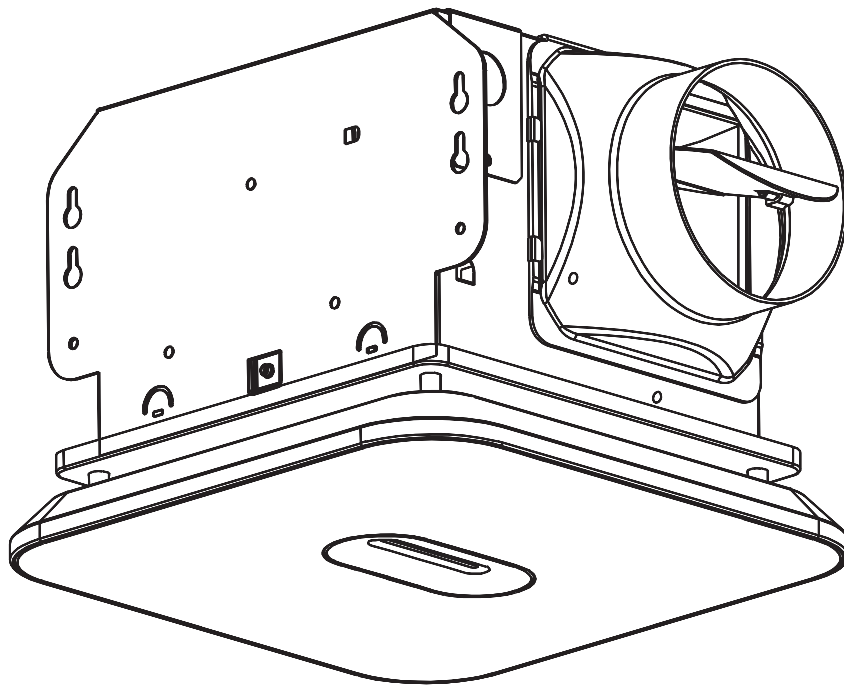
Toute réclamation au titre de la garantie peut être faite en téléphonant au +1 (888) 828 2025, entre 8 h et 18 h (HNE) du lundi au jeudi, ou entre 8 h et 17 h (HNE) le vendredi.



GUÍA DE USO Y CUIDADO

**AK1390N1-W
AK1390N1-B
AK1390N1-S**

VENTILADOR DECORATIVO CON LUZ LED



¿Preguntas, problemas, piezas faltantes?

Antes de regresar a la tienda, llame al Servicio al Cliente de AKICON de lunes a viernes de 8 a.m. a 6 p.m., hora estándar del este.

TOLL FREE: +1 (888) 828 2025
service@akiconshop.com
AKICONSHOP.COM

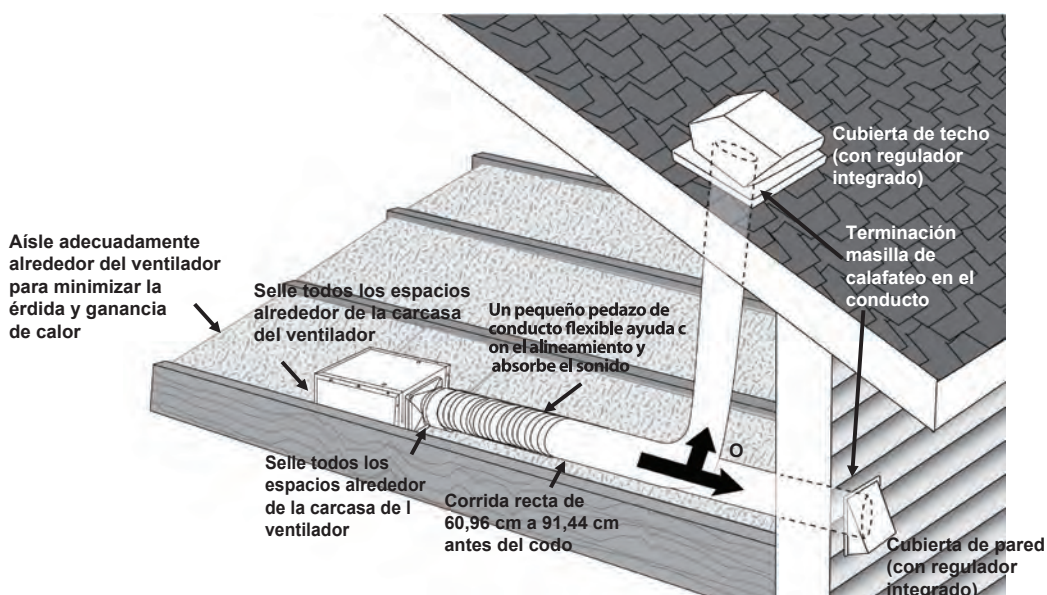
ÍNDICE

Especificaciones del producto.....	24
Contenido del paquete.....	25
Aditamentos.....	25
Información de seguridad.....	26
Preparación.....	27
Instrucciones de ensamblaje para una construcción nueva	28
Instrucciones de ensamblaje para una construcción existente.....	30
Cuidado y mantenimiento.....	33
Solución de problemas.....	33
Garantía.....	33

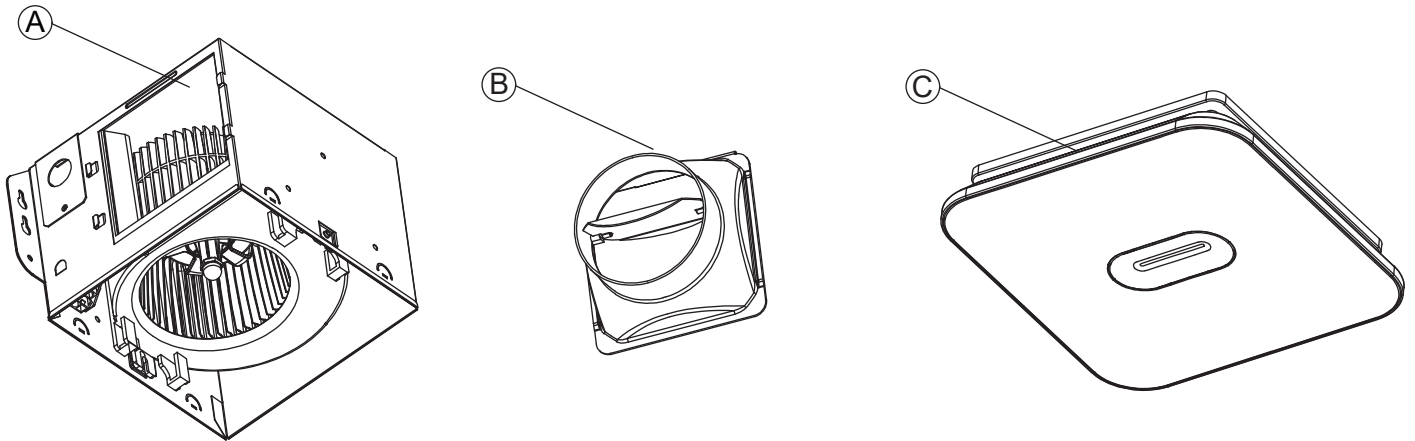
ESPECIFICACIONES DEL PRODUCTO

ESPECIFICACIONES	ESPECIFICACIONES
Flujo de aire: 90 CFM	Potencia de sonido: 1,5 sonios
120 VOLTIOS, 60 Hz	luz LED - 15W
Consumo de energía: 26 W	CCT - 2700K/4000K/5500K
Diámetro del conducto: 10,16 cm	Lumen-1000lm
Peso: 2.6KG.	Luz nocturna LED - 5W

INSTALACIÓN COMÚN



CONTENIDO DEL PAQUETE



PIEZA	DESCRIPCIÓN	CANTIDAD
A	Carcasa del ventilador	1
B	Ensamble de lámpara/reborde	1
C	Pantalla de vidrio	1
D		

ADITAMENTOS (se muestran en tamaño real)

AA



Tornillo para
madera largo

Qty. 6



INFORMACIÓN DE SEGURIDAD

LEA Y GUARDE ESTAS INSTRUCCIONES

Lea y comprenda completamente este manual antes de intentar ensamblar, usar o instalar el producto.

1. Desconecte siempre el suministro de electricidad antes de realizar tareas de mantenimiento en el ventilador, el motor o la caja de unión.
2. El trabajo de instalación debe estar a cargo de personas calificadas, de acuerdo con todos los códigos locales y de seguridad, incluidas las normas para construcción con resistencia al fuego.
3. Siga todos los códigos de construcción, eléctricos y de seguridad locales, así como también el Código Nacional de Electricidad (NEC, por sus siglas en inglés) y el de la Administración de Salud y Seguridad Ocupacional (OSHA, por sus siglas en inglés).
4. El suministro de electricidad debe ser de 120 voltios y 60 Hertz.
5. Esta unidad debe tener una puesta a tierra adecuada.
6. No doble ni pliegue los conductores de fuerza.
7. Tenga cuidado de no dañar el cableado existente al cortar o taladrar paredes o techos.
8. Es necesario un suministro de aire adecuado para que se produzca la combustión y extracción de gases apropiadas a través de la chimenea (tiro) del equipo de combustión para evitar la explosión de flujo de aire en retroceso. Consulte las normas de la Asociación Nacional de Protección contra Incendios (NFPA, por sus siglas en inglés), la Sociedad Americana de Ingenieros para Calefacción, Refrigeración y Aire Acondicionado (ASHRAE, por sus siglas en inglés) y las autoridades del código de construcción local.
9. No utilice este ventilador con dispositivos de control de estado sólido, tales como controles remotos, reguladores de intensidad o algunos temporizadores. Los temporizadores mecánicos no son dispositivos de estado sólido.
10. Este ventilador está aprobado para su uso sobre bañeras o duchas cuando se instala en un circuito con protección GFCI. No use ventiladores sobre bañeras o duchas que no estén aprobadas ni marcadas para dicha aplicación.
11. No lo instale en áreas de cocina.
12. No lo use para extraer vapores peligrosos o explosivos.
13. Los ventiladores deben contar siempre con una salida al exterior que cumpla con los códigos locales.
14. No instale en un techo con aislamiento superior a R40.
15. Los componentes para conductos se deben instalar en línea recta, con el mínimo de dobleces.
16. El tamaño de los componentes para conductos debe ser del mismo tamaño que la descarga y no se debe reducir. Reducir el tamaño del conducto podría aumentar el ruido del ventilador.
17. Antes de realizar tareas de mantenimiento o limpiar la unidad, corte el suministro de electricidad en el panel y bloquéelo para evitar que la alimentación se active. Si no puede bloquear el panel, márquelo claramente con una etiqueta de advertencia para evitar que otros conecten la alimentación.
18. Use esta unidad solo de la manera prevista por el fabricante. Si tiene preguntas, llame al Servicio al Cliente.
19. El ventilador está diseñado para montarse al menos a 2,13 m (7 pies) por encima del piso.

PREPARACIÓN

ADVERTENCIA: Desconecte la electricidad en la caja del interruptor de circuito antes de comenzar la instalación.

Retire con cuidado la unidad de la caja.

Antes de comenzar a ensamblar el producto, asegúrese de tener todas las piezas. Compare las piezas con la lista del contenido del paquete y los aditamentos. No intente ensamblar el producto si falta alguna pieza o si estas están dañadas.

Revise el área situada sobre la instalación para asegurarse de que el cableado se extienda hasta la ubicación planificada, que los componentes para conductos se puedan instalar y que el área sea apropiada para lograr la ventilación adecuada.

PREPARACIÓN

Revise los componentes para conductos y el cableado antes de continuar con la instalación.

Antes de instalar, asegúrese de dejar un acceso para inspecciones y tareas de mantenimiento futuras en un lugar que no interfiera con el trabajo de instalación.

No intente instalar este ventilador en una pared o un techo de bóveda. Este ventilador solamente debe instalarse en techos horizontales estándares.

Es posible que necesite la ayuda de otra persona para instalar este ventilador: una persona del lado del ático y la otra del lado de la habitación.

Herramientas necesarias para el ensamblaje (no se incluyen): taladro eléctrico, brocas para taladro, destornillador Phillips, cuchillo para uso general

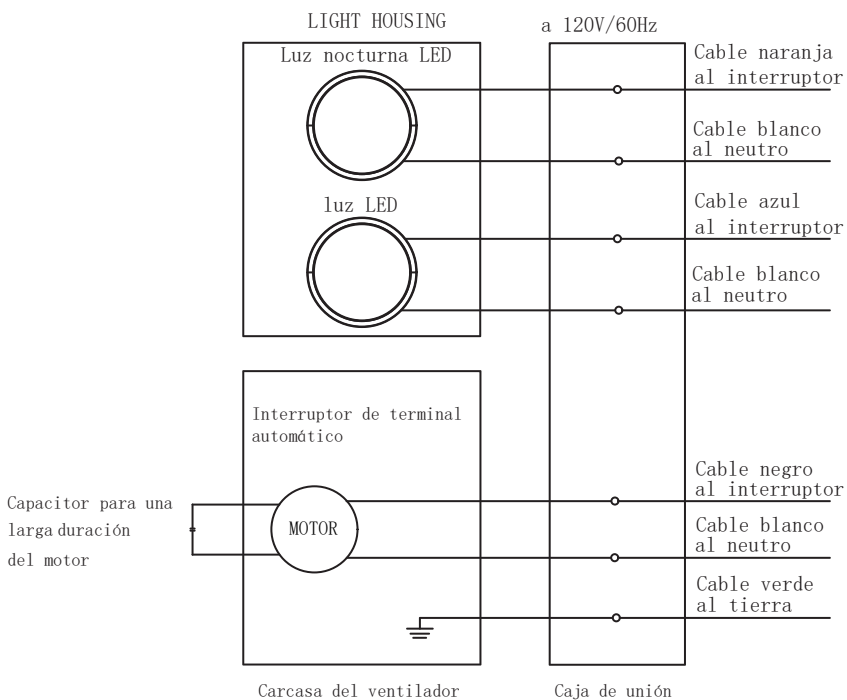
Otros materiales que necesitará (no se incluyen): cinta aislante

Nota: Las instalaciones pueden variar según la forma en que se instaló el ventilador para baños anterior. Los suministros necesarios para la instalación del ventilador para baño no se incluyen en su totalidad; no obstante, la mayoría están disponibles en su tienda local de productos o aditamentos para reparaciones del hogar.

DIMENSIONES

Abertura del techo (L)	Abertura del techo (W)
18,8 cm	19,4 cm

Diagrama del cableado



INSTRUCCIONES DE CONECTORES RÁPIDOS

Se vende sólo con instrucciones de instalación.

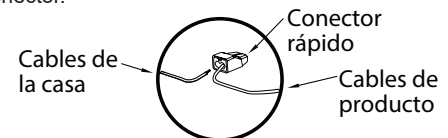
ADVERTENCIA: El cableado debe cumplir con todos los códigos eléctricos aplicables. Desconecte la alimentación antes de quitar o instalar conectores.

ADVERTENCIA: COBRE COBRE SOLAMENTE. No utilice cables de aluminio.

PRECAUCIÓN: Parte de accesorios (conector rápido) debe cumplir con las instrucciones de instalación.

NOTA: El conector es reutilizable en los alambres sólidos del mismo calibre de alambre o más pequeño. No vuelva a usar el conector de cables trenzados

- Pele los cables de 0,95 cm - 1,27 cm
- Sujete el hilo firmemente y empuje el extremo pelado del cable en el puerto abierto del conector. Utilice sólo un conector por puerto.
- Compruebe el extremo pelado de los cables está completamente insertado en la parte posterior del conector.



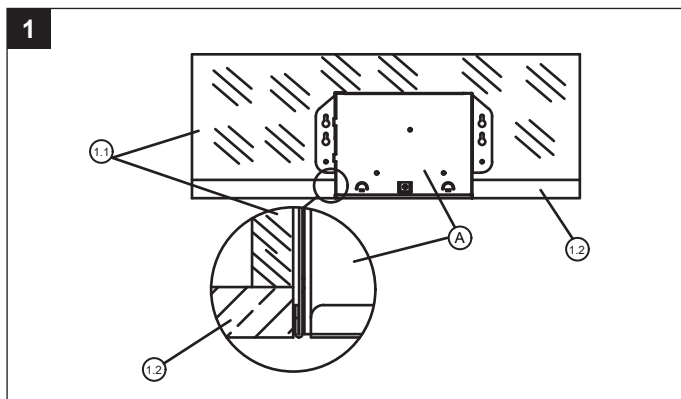
NOTA: Información importante alambre. Valor máximo de la temperatura de 105° C (221° F). 600 voltios máximo para la construcción de alambre y 1000 voltios máximo en los signos y artefactos de iluminación. El rango de cableable incluye: Solid: 12-18 AWG.

INSTRUCCIONES DE ENSAMBLAJE PARA UNA CONSTRUCCIÓN NUEVA

CONSTRUCCIÓN NUEVA: FIJACIÓN EN VIGUETAS

ANTES DE LA INSTALACIÓN – Apague la fuente de alimentación eléctrica. Revise todas las precauciones de seguridad.

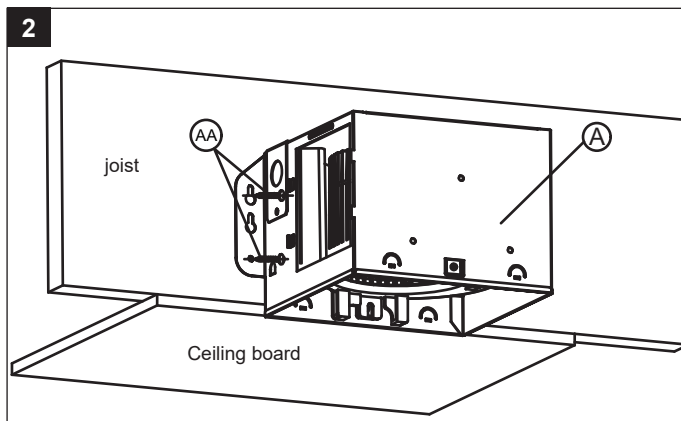
1. Coloque la carcasa del ventilador (A) junto a una viga de techo o a un montante de pared (1.1). La carcasa del ventilador (A) debe estar al nivel de y quedar perpendicular a la viga o el montante de pared (1.1). Deje espacio para el grosor del tablero de techo (1.2) que utilizará en su aplicación. **NO** monte a la viga ni al montante de pared al ras (1.1). La parte inferior de la carcasa del ventilador (A) debe estar al ras con el tablero del techo (1.2).



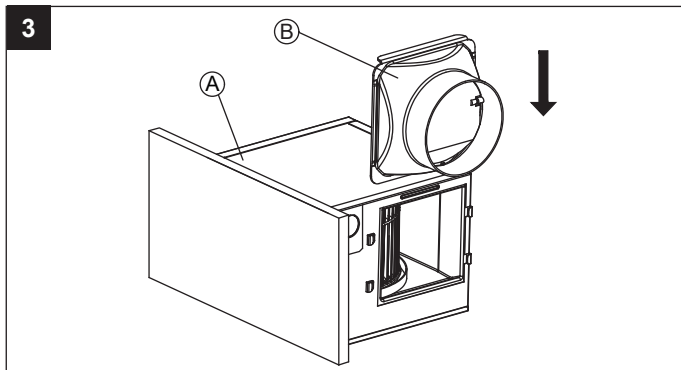
2. Instale la carcasa del ventilador (A) en la viga usando los tornillos para madera largos (AA) en ambos lados.

Aditamentos utilizados

(AA) Tornillo para madera largo x 4

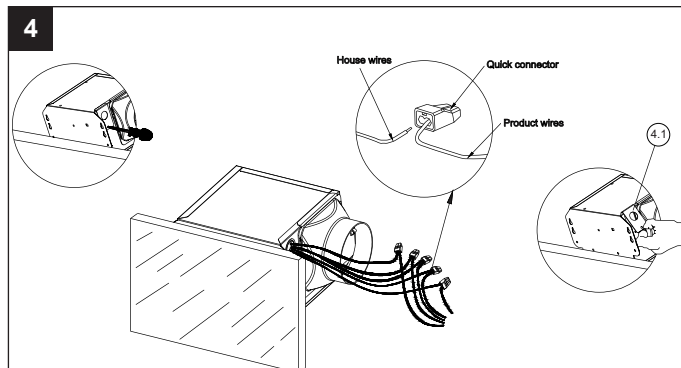


3. Fije el adaptador B a la carcasa A



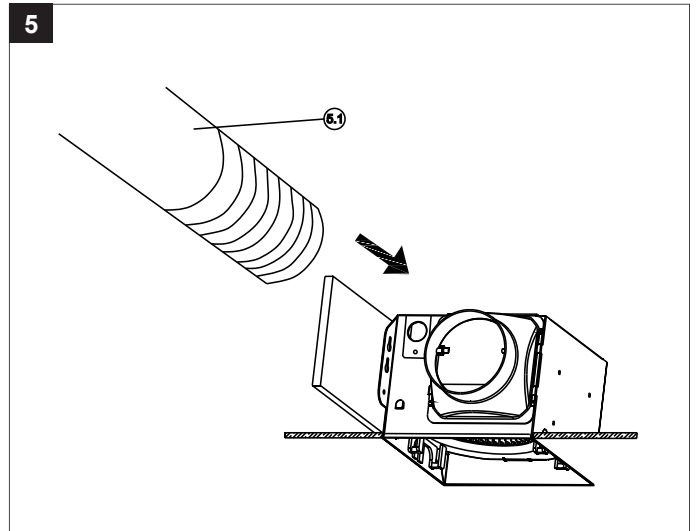
4. Instale un conducto circular de 10,16 cm (4.1) (no incluido) y fíjelo con cinta aislante o abrazaderas (tampoco incluidas).

Finalice el trabajo en el techo. El orificio en el techo debe estar alineado con el borde de la carcasa del ventilador (A).

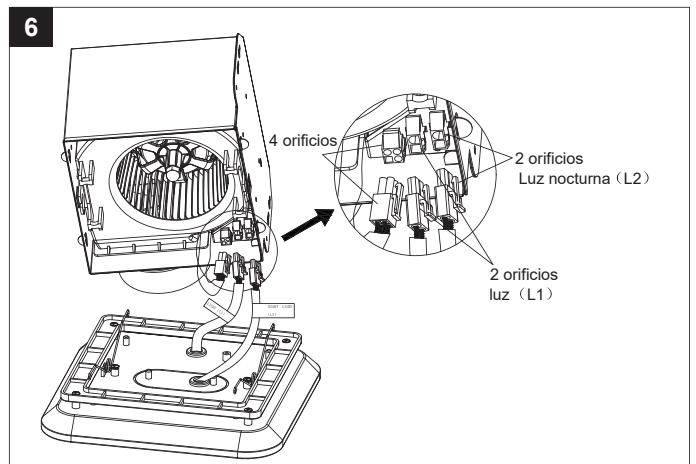


INSTRUCCIONES DE ENSAMBLAJE PARA UNA CONSTRUCCIÓN NUEVA

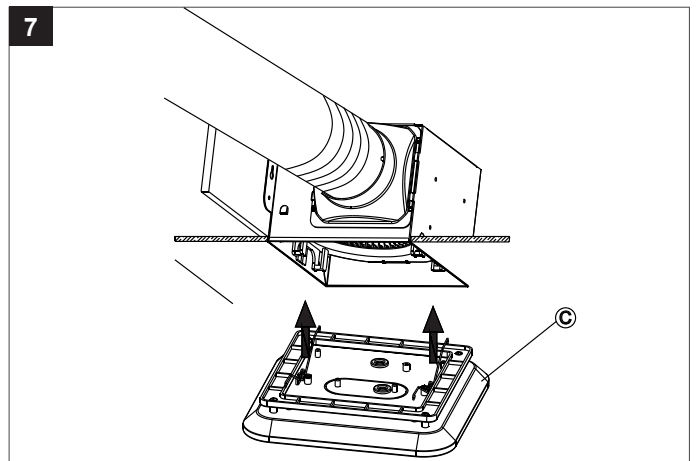
5. Enchufe el ensamble de lámpara/reborde (B) en la carcasa del ventilador (A).



6. Enchufe el conector del motor del ventilador en la carcasa del ventilador (de 4 orificios a 4 orificios). Enchufe también el conector del panel de luz LED en la carcasa (de 2 orificios a 2 orificios).



7. Fije el panel de luz LED C pellizcando los muelles de montaje e introduciéndolos en las estrechas ranuras rectangulares de la carcasa del ventilador. Encienda la fuente de alimentación. Pruebe la unidad.



INSTRUCCIONES DE ENSAMBLAJE PARA UNA CONSTRUCCIÓN NUEVA

INSTRUCCIONES DE ENSAMBLAJE PARA UNA CONSTRUCCIÓN EXISTENTE

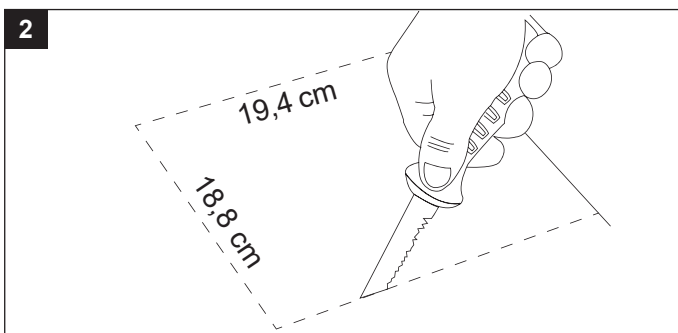
La instalación de la carcasa del ventilador en una construcción existente **REQUIERE DE UN ÁREA ACCESIBLE** (ático o entretecho) sobre la ubicación planificada de instalación y los conductos y cableado existentes.

ANTES DE LA INSTALACIÓN – Apague la fuente de alimentación eléctrica. Revise todas las precauciones de seguridad. Retire el ventilador existente.

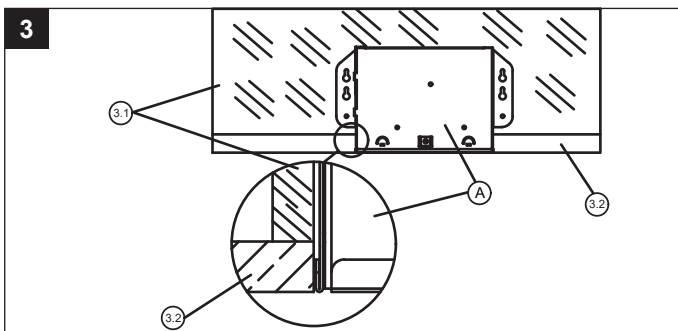
1. Mida la abertura para asegurarse de que es lo suficientemente grande como para acomodar la nueva carcasa del ventilador (19,2 cm x 18,6 cm).



2. Si el ventilador no reemplazará un ventilador antiguo, asegúrese de cortar una abertura de 19,4 cm x 18,8 cm para la carcasa del ventilador.



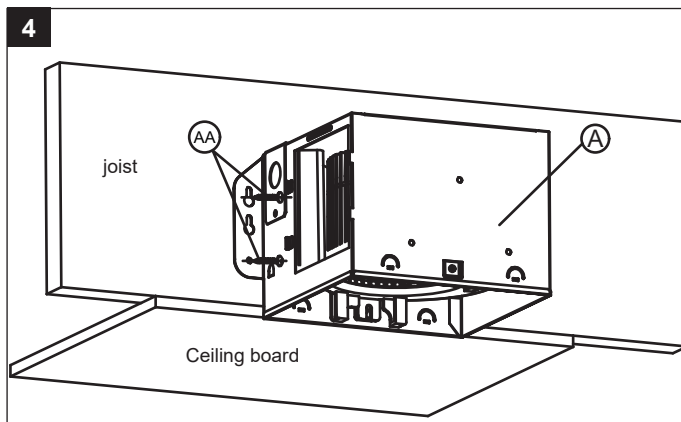
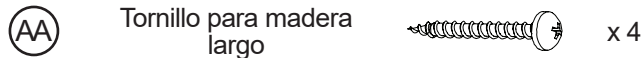
3. Coloque la carcasa del ventilador (A) junto a una vigueta de techo o a un montante de pared (3.1). La carcasa del ventilador (A) debe estar al nivel de y quedar perpendicular a la vigueta o el montante de pared (3.1). Deje espacio para el grosor del tablero de techo (3.2) que utilizará en su aplicación. NO monte a la vigueta ni al montante de pared al ras (3.1). La parte inferior de la carcasa del ventilador (A) debe estar al ras con el tablero del techo (3.2).



INSTRUCCIONES DE ENSAMBLAJE PARA UNA CONSTRUCCIÓN EXISTENTE

4. Instale la carcasa del ventilador (A) en la vigueta usando los tornillos para madera largos (AA) en ambos lados.

Aditamentos utilizados

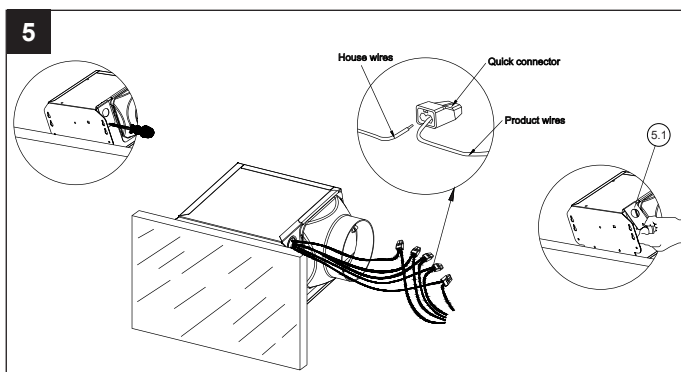


5. Retire la cubierta de la caja del cableado (5.1). Pase los conductores de la carcasa a través del orificio de la cubierta de la caja de cableado. Con un conector rápido, asegure el cableado de la casa de 120 VCA desde el interruptor de la pared al ventilador como se muestra en el diagrama de cableado de la página 5. El conductor de 14 AWG es el más pequeño que se debe usar para el cableado del circuito de derivación.

Con cuidado, introduzca los conductores conectados de vuelta en la carcasa de la caja del cableado. Vuelva a fijar la cubierta de la caja del cableado (5.1).

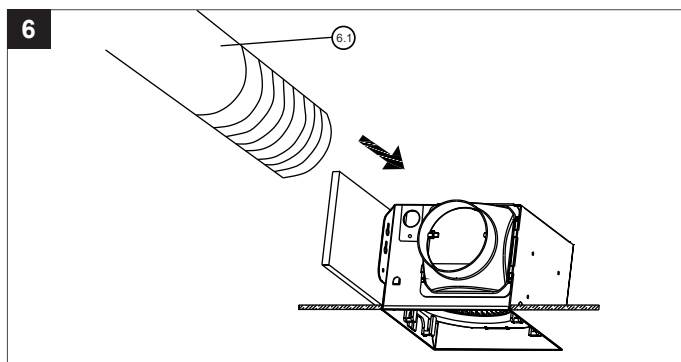
PRECAUCIÓN: Si los conductores eléctricos no combinan con los colores enumerados, debe determinar qué representa cada conductor de la casa antes de la conexión.

Puede necesitar consultar con un electricista para determinar la seguridad.

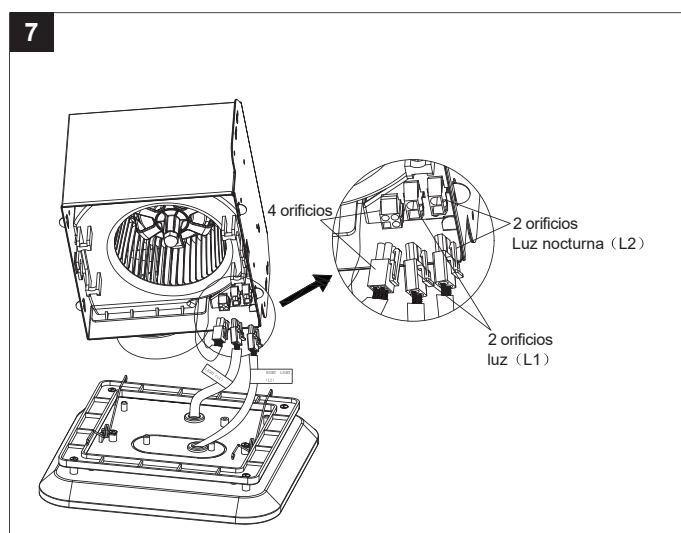


6. Instale un conducto circular de 10,16 cm (6.1) (no incluido) y fíjelo con cinta aislante o abrazaderas (tampoco incluidas).

Finalice el trabajo en el techo. El orificio en el techo debe estar alineado con el borde de la carcasa del ventilador (A).

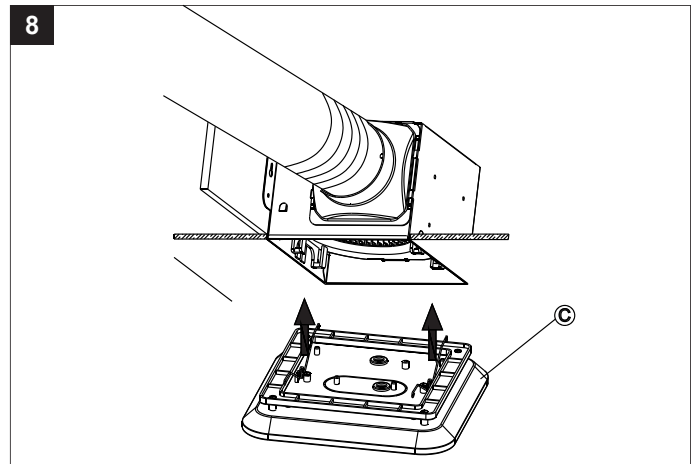


7. Enchufe el conector del motor del ventilador en la carcasa del ventilador (de 4 orificios a 4 orificios). Enchufe también el conector del panel de luz LED en la carcasa (de 2 orificios a 2 orificios).

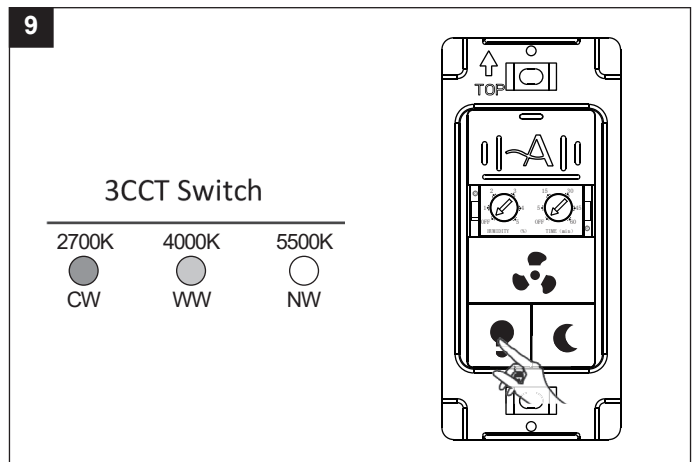


INSTRUCCIONES DE ENSAMBLAJE PARA UNA CONSTRUCCIÓN EXISTENTE

8. Fije el panel de luz LED C pellizcando los muelles de montaje e introduciéndolos en las estrechas ranuras rectangulares de la carcasa del ventilador. Encienda la fuente de alimentación. Pruebe la unidad.



9. Conecte correctamente los cables con el interruptor de montaje en pared de tres balancines (se recomienda el interruptor AK-SW-FLHT de Akicon).
- Para controlar el ventilador: Encender/apagar con el primer interruptor
 - Para controlar la luz principal: Encienda/apague con el segundo interruptor
 - On/Off/On para cambiar el CCT. Después de 7s apagado, la luz mantiene la última memoria cuando se enciende de nuevo.
 - Para controlar la luz nocturna: Encienda/apague con el tercer balancín.



CUIDADO Y MANTENIMIENTO

ADVERTENCIA: Desconecte el suministro de electricidad antes de realizar tareas de mantenimiento. Vea la INFORMACIÓN DE SEGURIDAD antes de proceder. Se debe realizar mantenimiento de rutina al menos una vez al año.

- Lave la rejilla con agua y jabón suave, y seque con un paño.
- Retire el exceso de polvo y suciedad de la carcasa del ventilador con una aspiradora.
- No use solventes, disolventes ni químicos agresivos para limpiar el ventilador.
- No permita que entre agua en el motor.
- No sumerja las piezas de resina en agua con una temperatura superior a 60° C.

SOLUCIÓN DE PROBLEMAS

PROBLEMA	CAUSA POSIBLE	ACCIÓN CORRECTIVA
El ventilador hace más ruido de lo que debería	Los m ³ /min son demasiados.	Asegúrese de que la clasificación de m ³ /min. en el ventilador coincida con el tamaño de su habitación.
	El regulador de tiro no funciona en forma adecuada o está dañado.	Revise el regulador de tiro para garantizar que se abra y cierre correctamente. Si el regulador de tiro se ha dañado, llame al Servicio al Cliente.
	El pliegue del conducto está demasiado cerca de la descarga del ventilador.	Asegúrese de que no haya bordes filosos en el conducto a menos de 45,72 cm de la descarga del ventilador.
	La descarga del ventilador se ha reducido para adaptarse a un conducto de menor tamaño.	Utilice los conductos de tamaño recomendado para reducir el sonido del ventilador.
	La carcasa del ventilador no está bien ajustada.	Asegúrese de que el ventilador esté bien fijado a las viguetas del techo.
El ventilador no ventila la habitación	El flujo de entrada de aire dentro de la habitación es inadecuado	Asegúrese de que una puerta o ventana quede levemente entreabierta o abierta para permitir el flujo de aire. El ventilador no absorbe aire de la habitación porque no hay suficiente flujo de aire.
	El nivel de m ³ /min. es insuficiente	Asegúrese de que la clasificación de m ³ /min. del ventilador coincida con los requisitos del tamaño de su habitación. NOTA: Utilizar un pañuelo descartable no es un método preciso para determinar si el ventilador funciona correctamente. Si el ventilador elimina el vapor de la habitación en aproximadamente 15 minutos después de haber finalizado su ducha, entonces el ventilador funciona correctamente.

3 AÑO DE GARANTÍA LIMITADA

Si el ventilador falla debido a un defecto en los materiales o la mano de obra en cualquier momento durante los primeros UN año de poseerlo, el fabricante lo reemplazará, sin cargos y con el franqueo pagado, según su criterio. Esta garantía no cubre productos que hayan sufrido abusos, modificaciones, daños, uso indebido, cortes o desgaste. Esta garantía no cubre el uso con fines comerciales. Use solo piezas de repuesto con garantía genuinas suministradas por el fabricante para reparar el ventilador. El uso de piezas de repuesto no genuinas anulará la garantía. El fabricante RECHAZA todas las demás garantías expresas o implícitas, incluyendo todas las garantías de comerciabilidad y/o idoneidad para un fin en particular. Debido a que algunos estados no permiten exclusiones o limitaciones en una garantía implícita, las exclusiones y limitaciones anteriores pueden no aplicarse en su caso. Esta garantía le otorga derechos legales específicos, pero podría tener también otros derechos que varían según el estado.

Esta garantía se limita solo al reemplazo de piezas defectuosas. Quedan excluidos los cargos y/o daños por mano de obra incurridos durante la instalación, reparación o reemplazo, además de los daños incidentales o resultantes relacionados con estos. Cualquier daño a este producto como resultado de negligencia, uso indebido, accidente, instalación inadecuada o cualquier otro uso distinto al descrito en el presente ANULARÁ ESTA GARANTÍA.

Los costos de envío por cualquier devolución del producto como parte de una reclamación de garantía estarán a cargo del cliente.

Las preguntas relacionadas con reclamaciones de garantía pueden realizarse al +1 (888) 828 2025, de lunes a jueves de 8 a.m. a 6 p.m., y los viernes de 8 a.m. a 5 p.m., hora estándar del Este.